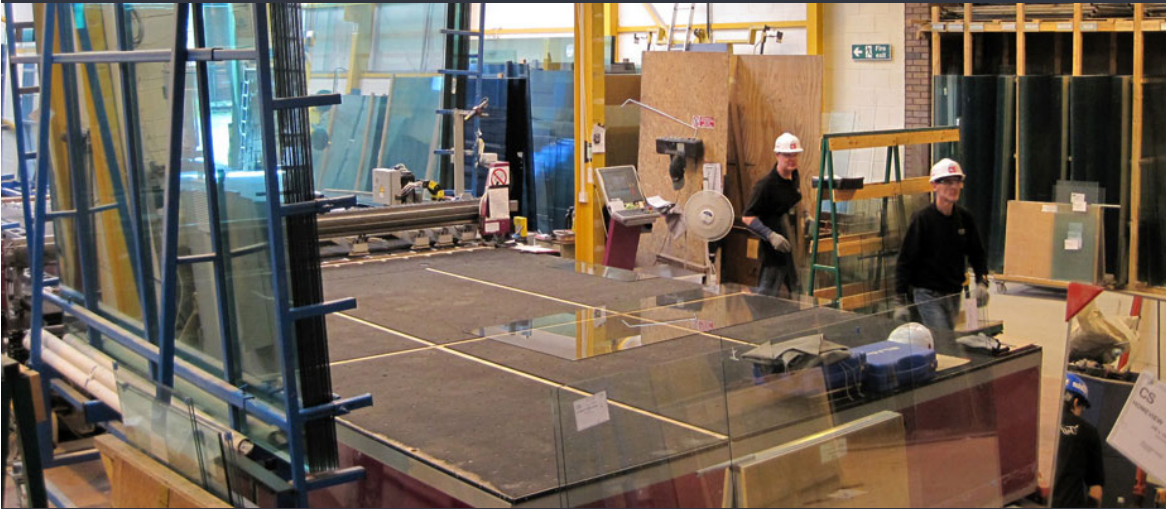


CS



CS Glaziers Product Catalogue

Call us today on 01244 550148
www.csglaziers.co.uk

es

Contents

1. Technical Information	Page 4
2. Multipoint Locks	Page 8
Avocet	Page 8
Coldseal	Page 13
ERA	Page 15
Ferco	Page 24
Fuhr	Page 25
Fullex	Page 29
GU	Page 37
Gibbons	Page 49
Gridlock	Page 50
Lockmaster / Mila Master	Page 51
Maco	Page 56
Mila	Page 58
Millenco	Page 60
Roto	Page 67
Safeware	Page 71
Cego Surelock	Page 72
UCEM	Page 74
Vitawin	Page 75
Winkhaus	Page 76
Yale	
2. uPVC Door Handles	Page 87
Lever / Lever Door Handles	Page 87
Lever / Pad Door Handles	Page 96
High Security Door Handles	Page 98
3. Locksmith Tools	Page 100
4. uPVC Door Keeps	Page 108
5. uPVC Door Hinges	Page 110

6. Window Mechanisms	Page 112
7. Window Hinges	Page 116
8. Tilt & Turn	Page 118
9. Window Handles	Page 119
10. Patio Door Handles	Page 122
11. Letter Plates	Page 126
12. Euro Cylinders	Page 128
13. Oval Cylinders	Page 133
14. Other Cylinders	Page 136
15. Mortice Locks	Page 138
13. General Stock	Page 140
14. Terms and Info	Page 146

Identifying a Multipoint Lock

1. Manufacturers Name

A manufacturers name is always the best place to start. Check the faceplate and the gearbox for the manufacturer's name - remember the cylinder is not likely to be the same brand as your mechanism - so don't go by the name on that.

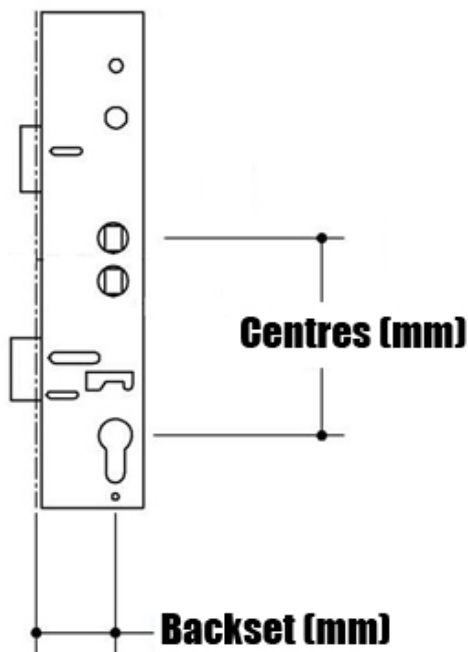
If your lock has no name it is likely to be an old Fullex or KFV - call sales for further help or email us some photos - sales@multipointlocks.co.uk

2. Backset and Centres

The most important measurements when replacing a multipoint lock are the backset and centres measurements.

Backset - from the front of the faceplate to the centre of the euro cylinder hole.

Centres - from the centre of the spindle hole to the centre of the circular part of the euro cylinder hole.



Common Centres

92mm - Avocet, ERA, Fuhr, Fullex
 Crimebeater, Fullex XL, Gridlock, GU,
 KFV, Lockmaster, Maco, Mila, Mila Master,
 Millenco Mantis 3Roto, Safeware, Vitawin,
 Winkhaus

68mm - Old Style Fullex

70mm - Ferco, GU Tripack

72mm - Old Fuhr Lock (obsolete)

85mm - UCEM

95mm - Millenco Mantis 2

117mm - Millenco

3. Locking Points



Latch



Deadbolt



Roller



Hook & Pin



Hook Down



Hook Up



Shootpin



Small Hook

Using the pictures above identify the locking points that your lock has and the order in which they are in. Check the technical diagram to make sure the distances are approximately right (allow variation for measurement)

4. Faceplate

Check the width of the faceplate - most common locks are 16mm. However some locks are 20mm or 24mm.

5. Lock Operation



Lever/Lever
Standard operation



Lever/Pad - Double Spindle
Locks on latch when
closed.



Lever/Pad - Single Spindle
Locks on latch when
closed.

Handing Information for Keeps

A lot of multipoint lock keeps are handed - we always view the door standing on the inside.

Right Handed

VIEWED FROM INSIDE

- Hinged on LEFT and opens TOWARDS you
- Hinged on RIGHT and opens AWAY from you

Left Handed

VIEWED FROM INSIDE

- Hinged on RIGHT and opens TOWARDS you
- Hinged on LEFT and opens AWAY from you



Suggested Handles & Keeps

Please note that throughout the catalogue we suggest handle sets and keeps to suit particular mechanisms.

It is important to note that the handles recommended will suit the lock concerned but they may not be a suitable replacement for your particular circumstances i.e. you may be replacing an existing handle set with a longer backplate and longer screw centres - please check before ordering.

You can refer to our handle section for a complete range of handles.

Keeps recommended, whilst "universal" (will suit the majority of uPVC profiles), cannot be guaranteed to suit your specific profile and packers may be required.

Avocet

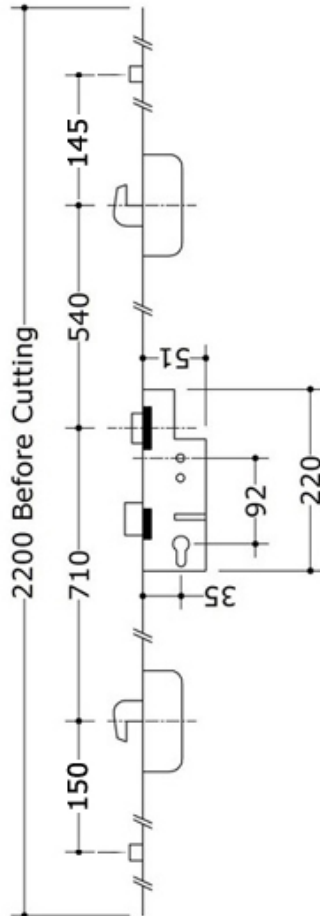
2 Hooks 2 Rollers



Part No	Backset	Centres/PZ	Faceplate	Spindle
MPL5	35mm	92mm/ 62mm	16mm Flat	Double (8mm)

Please note that the brass version of this lock is now obsolete. We now supply the silver version where the rollers are in slightly different positions to those shown.

You will also need the new keep to suit: MPL132LH / MPL132RH



Additional Information

Latch Reversal:
Remove allen key in side of latch / case.

Operation:
Lever / Lever or Lever/Pad

Handy Tips:
Avocet locks were previously known as WMS or KMB locks which have no markings on the faceplate.

Additional Extras

Door Handles - Lever/Lever:
MPL531 - W

Door Handles - Lever/Pad:
MPL456 - G/W/S

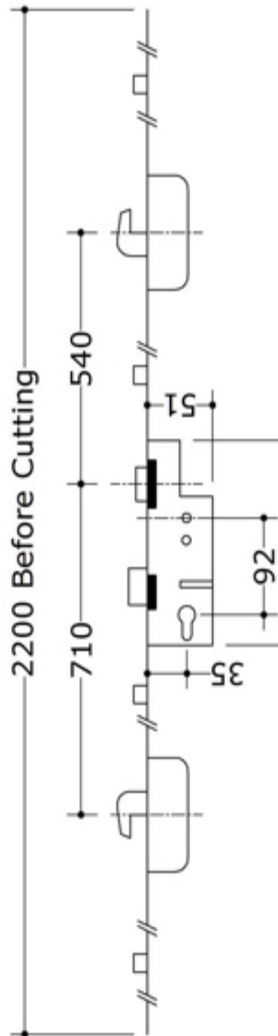
Door Keeps / Strikes:
1 x Full Length Keep RH - MPL132-RH
1 x Full Length Keep LH - MPL132-LH

Avocet

2 Hooks 4 Rollers



Part No	Backset	Centres/PZ	Faceplate	Spindle
<p>This lock is now obsolete and is shown for reference only. The best replacement is the Avocet 2 Hook 2 Roller (MPL5) with new keep (MPL132LH/RH)</p>				



Additional Information

Latch Reversal:
Remove allen key in side of latch / case.

Operation:
Lever / Lever or Lever/Pad

Handy Tips:
Avocet locks were previously known as WMS or KMB locks which have no markings on the faceplate.

Additional Extras

Door Handles - Lever/Lever:
MPL531 - W

Door Handles - Lever/Pad:
MPL456 - G/W/S

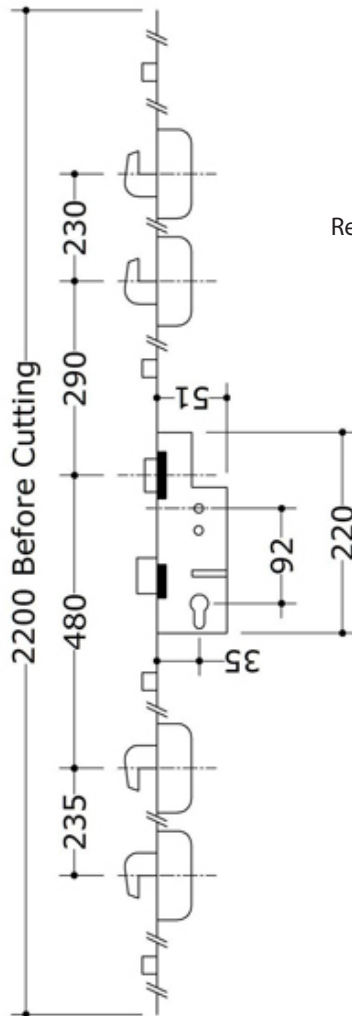
Door Keeps / Strikes:
1 x Full Length Keep RH - MPL132-RH
1 x Full Length Keep LH - MPL132-LH



Avocet

4 Hook 4 Roller

Part No	Backset	Centres/PZ	Faceplate	Spindle
<p>This product is shown for reference only as it is now obsolete. The closest replacement is the Avocet 2 Hook 2 Roller 35 x 92 MPL4 - you will also need to replace the keeps.</p>				



Additional Information

Latch Reversal:
Remove allen key in side of latch / case.

Operation:
Lever / Lever or Lever/Pad

Handy Tips:
Avocet locks were previously known as WMS or KMB locks which have no markings on the faceplate.

Additional Extras

Door Handles - Lever/Lever:
MPLxxx

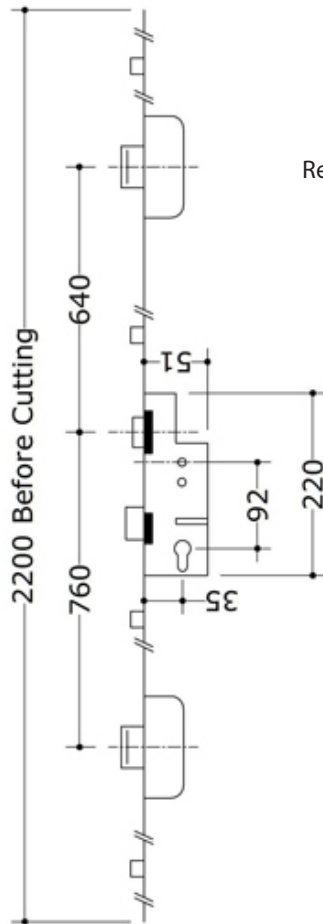
Door Handles - Lever/Pad:
MPLxxx

Door Keeps / Strikes:
N/A

Avocet

3 Deadbolt 4 Roller

Part No	Backset	Centres/PZ	Faceplate	Spindle
MPL3	35mm	92mm/ 62mm	16mm Flat	Double (8mm)



Additional Information

Latch Reversal:
Remove allen key in side of latch / case.

Operation:
Lever / Lever or Lever/Pad

Handy Tips:
Avocet locks were previously known as WMS or KMB locks which have no markings on the faceplate.

Additional Extras

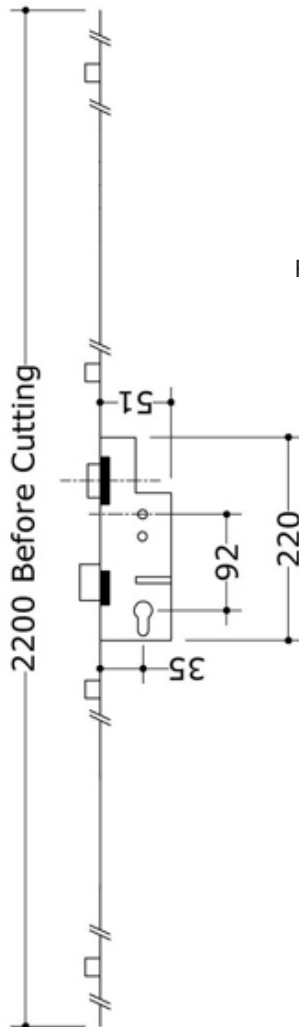
Door Handles - Lever/Lever:
MPL531 - W

Door Handles - Lever/Pad:
MPL456 - G/W/S

Door Keeps / Strikes:
1 x Latch Keep - MPL144
2 x Deadbolt Keeps (Pair) - MPL476
4 x Roller Keep - MPL148

Avocet 4 Roller

Part No	Backset	Centres/PZ	Faceplate	Spindle
MPL499	35mm	92mm/ 62mm	16mm Flat	Double (8mm)



Additional Information

Latch Reversal:
Remove allen key in side of latch / case.

Operation:
Lever / Lever or Lever/Pad

Handy Tips:
Avocet locks were previously known as WMS or KMB locks which have no markings on the faceplate.

Additional Extras

Door Handles - Lever/Lever:
MPL531 - W

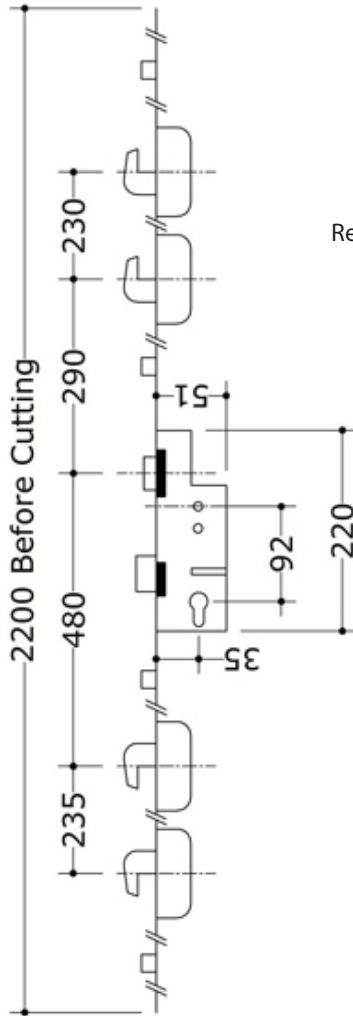
Door Handles - Lever/Pad:
MPL456 - G/W/S

Door Keeps / Strikes:
1 x Latch Keep - MPL144
1 x Deadbolt Keeps (Pair) - MPL476
4 x Roller Keep - MPL148

Coldseal

4 Hook 4 Roller MK1

Part No	Backset	Centres/PZ	Faceplate	Spindle
<p>This product is shown for reference only as it is now obsolete. The closest replacement is the Avocet 2 Hook 2 Roller 35 x 92 MPL4 - you will also need to replace the keeps.</p>				



Additional Information

Latch Reversal:
Remove allen key in side of latch / case.

Operation:
Lever / Lever or Lever/Pad

Handy Tips:
Avocet locks were previously known as WMS or KMB locks which have no markings on the faceplate.

Additional Extras

Door Handles - Lever/Lever:
MPL531 - W

Door Handles - Lever/Pad:
MPL456 - G/W/S

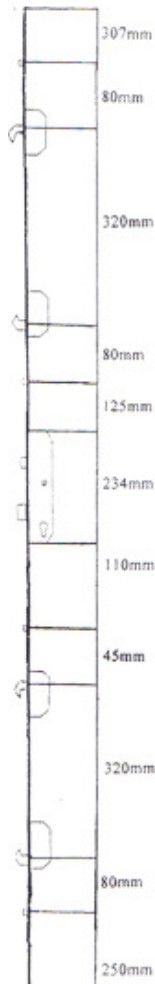
Door Keeps / Strikes:
N/A



Coldseal

4 Hook 4 Roller MK2

Part No	Backset	Centres/PZ	Faceplate	Spindle
<p>This product is shown for reference only as it is now obsolete. The best method of repair is to replace the centre case - MPL11</p>				



Additional Information

Latch Reversal:
Remove allen key in side of latch / case.

Operation:
Lever / Lever or Lever/Pad

Handy Tips:

Additional Extras

Door Handles - Lever/Lever:
MPL171 - B/G/PC/W

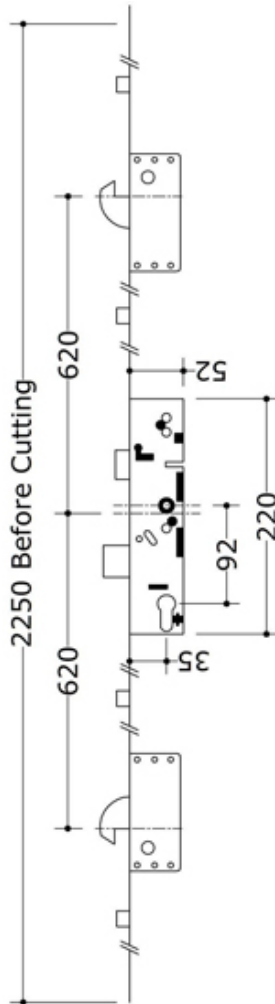
Door Handles - Lever/Pad:
N/A

Door Keeps / Strikes:
N/A

ERA

2 Hook 2 Roller (620/620)

Part No	Backset	Centres/PZ	Faceplate	Spindle
MPL12	35mm	92mm	16mm Flat	Split Single (8mm)



Additional Information

Latch Reversal:
Remove two Phillips screws in the latch.

Operation:
Lever / Lever or Lever/Pad

Handy Tips:

Additional Extras

Door Handles - Lever/Lever:
MPL171 - B/G/PC/W

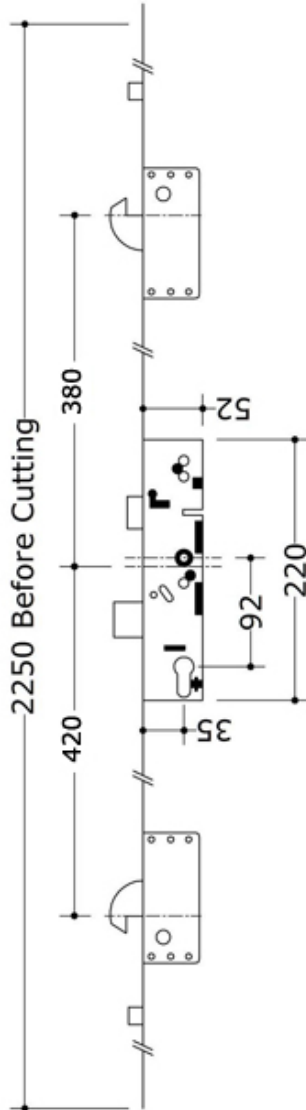
Door Handles - Lever/Pad:
MPL453 - G/W/PC

Door Keeps / Strikes:
1 x Latch Keep - MPL144
1 x Deadbolt Keeps (Pair) - MPL476
1 x Hook Keeps (Pair) - MPL476
2 x Roller Keep - MPL148

ERA

2 Hook 2 Roller (420/380)

Part No	Backset	Centres/PZ	Faceplate	Spindle
MPL602	35mm	92mm	1 6mm Flat	Split Single (8mm)



Additional Information

Latch Reversal:
Remove two Phillips screws in the latch.

Operation:
Lever / Lever or Lever/Pad

Handy Tips:

Additional Extras

Door Handles - Lever/Lever:
MPL171 - B/G/PC/W

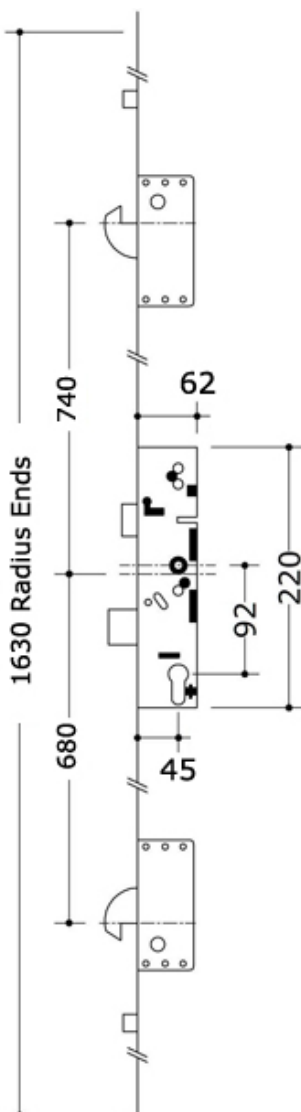
Door Handles - Lever/Pad:
MPL453 - G/W/PC

Door Keeps / Strikes:
1 x Latch Keep - MPL144
1 x Deadbolt Keeps (Pair) - MPL476
1 x Hook Keeps (Pair) - MPL476
2 x Roller Keep - MPL148

ERA

2 Hook (680/740)

Part No	Backset	Centres/PZ	Faceplate	Spindle
MPL483	45mm	92mm	20mm Radius	Split Single (8mm)



Additional Information

Latch Reversal:
Remove two Phillips screws in the latch.

Operation:
Lever / Lever or Lever/Pad

Handy Tips:
Often marked 609 on faceplate.

Additional Extras

Door Handles - Lever/Lever:
MPL171 - B/G/PC/W

Door Handles - Lever/Pad:
MPL453 - G/W/PC

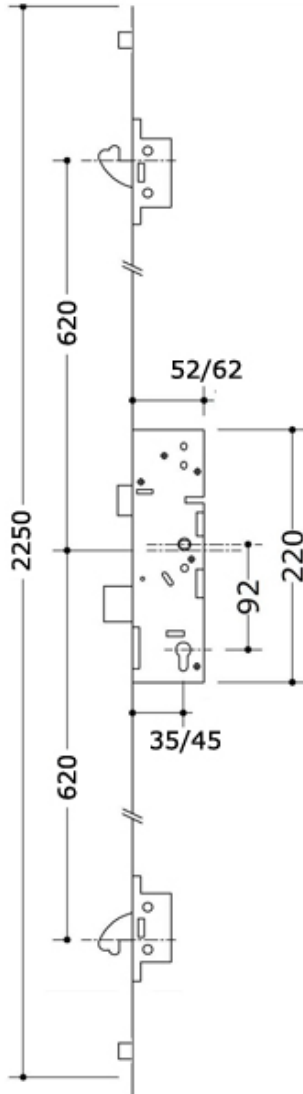
Door Keeps / Strikes:
1 x Latch Keep - MPL144
1 x Deadbolt Keeps (Pair) - MPL476
1 x Hook Keeps (Pair) - MPL476



ERA

2 Small Hook 2 Roller (620/620)

Part No	Backset	Centres/PZ	Faceplate	Spindle
MPL603	35mm	92mm	16mm	Single Split (8mm)
MPL604	45mm	92mm	16mm	Single Split (8mm)



Additional Information

Latch Reversal:
Remove two Phillips screws in the latch.

Operation:
Lever / Lever or Lever/Pad

Handy Tips:

Additional Extras

Door Handles - Lever/Lever:
MPL171 - B/G/PC/W

Door Handles - Lever/Pad:
MPL453 - G/W/PC

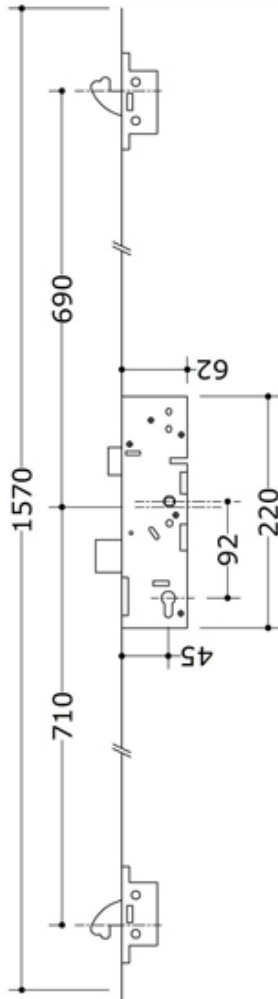
Door Keeps / Strikes:
1 x Latch Keep - MPL144
1 x Deadbolt Keeps (Pair) - MPL476
2 x Hook Keeps (Pair) - MPL476
2 x Roller Keep - MPL148

ERA

2 Small Hook (710/690)



Part No	Backset	Centres/PZ	Faceplate	Spindle
MPL605	45mm	92mm	16mm Flat	Split Single (8mm)
MPL606	45mm	92mm	20mm	Split Single (8mm)



Additional Information

Latch Reversal:
Remove two Phillips screws in the latch.

Operation:
Lever / Lever or Lever/Pad

Handy Tips:
20mm version often marked 013 on faceplate.

Additional Extras

Door Handles - Lever/Lever:
MPL171 - B/G/PC/W

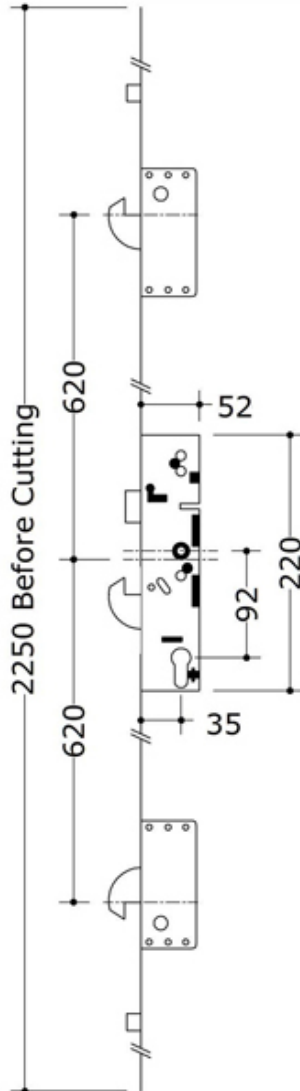
Door Handles - Lever/Pad:
MPL453 - G/W/PC

Door Keeps / Strikes:
1 x Latch Keep - MPL144
1 x Deadbolt Keeps (Pair) - MPL476
1 x Hook Keeps (Pair) - MPL476

ERA

3 Hook 2 Roller

Part No	Backset	Centres/PZ	Faceplate	Spindle
MPL607	35mm	92mm	1 6mm Flat	Split Single 8mm



Additional Information

Latch Reversal:
Remove two Phillips screws in the latch.

Operation:
Lever / Lever or Lever/Pad

Handy Tips:

Additional Extras

Door Handles - Lever/Lever:
MPL171 - B/G/PC/W

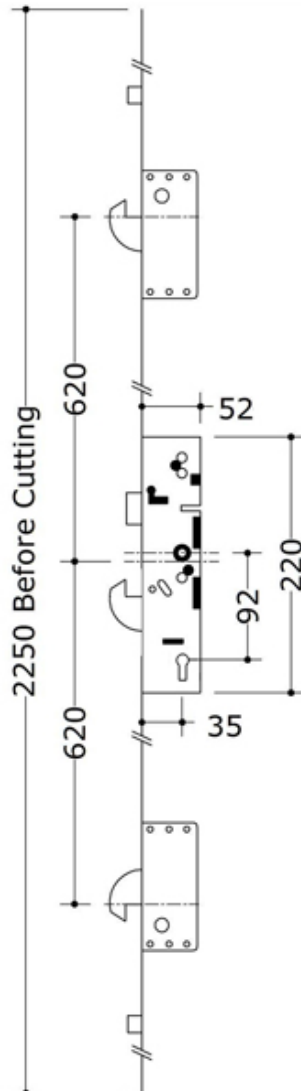
Door Handles - Lever/Pad:
MPL453 - G/W/PC

Door Keeps / Strikes:
1 x Latch Keep - MPL144
2 x Hook Keeps (Pair) - MPL476
2 x Roller Keep - MPL148

ERA Vectis

3 Hook 2 Roller

Part No	Backset	Centres/PZ	Faceplate	Spindle
MPL608	35mm	92mm	16mm Flat	Split Single 8mm



Additional Information

Latch Reversal:
Remove two Phillips screws in the latch.

Operation:
Lever / Lever or Lever/Pad

Handy Tips:
5 Lever Lock.

Additional Extras

Door Handles - Lever/Lever:
Special order.

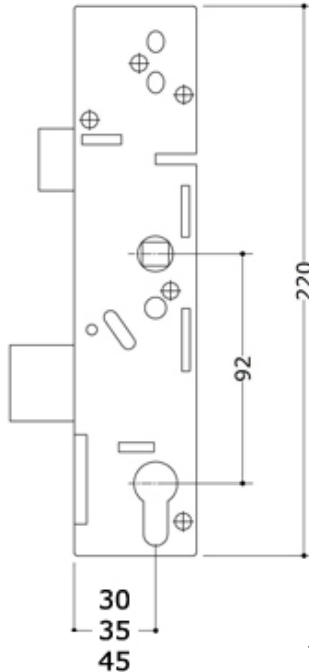
Door Handles - Lever/Pad:
Special order.

Door Keeps / Strikes:
1 x Latch Keep - MPL144
3 x Hook Keeps (Pair) - MPL476
2 x Roller Keep - MPL148

ERA

Centre Case

Part No	Backset	Centres/PZ	Deadbolt / Hook	Spindle
MPL609	30mm	92mm	Deadbolt	Single Split 8mm
MPL108	35mm	92mm	Deadbolt	Single Split 8mm
MPL610	35mm	92mm	Hook	Single Split 8mm
MPL109	45mm	92mm	Deadbolt	Single Split 8mm



Additional Information

Latch Reversal:
Remove two Phillips screws in the latch.

Operation:
Lever / Lever or Lever/Pad

Handy Tips:

Additional Extras

Door Handles - Lever/Lever:
MPL171 - B/G/PC/W

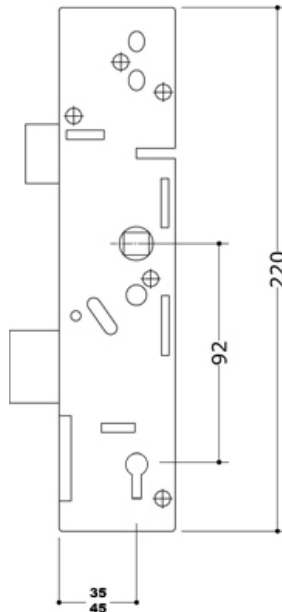
Door Handles - Lever/Pad:
MPL453 - G/W/PC

Door Keeps / Strikes:
1 x Latch Keep - MPL144
1 x Deadbolt Keeps (Pair) - MPL476

ERA Vectis

Centre Case

Part No	Backset	Centres/PZ	Deadbolt / Hook	Spindle
MPL611	35mm	92mm	Deadbolt	Single Split 8mm
MPL612	35mm	92mm	Hook	Single Split 8mm
MPL461	45mm	92mm	Deadbolt	Single Split 8mm



Additional Information

Latch Reversal:
Remove two Phillips screws in the latch.

Operation:
Lever / Lever or Lever/Pad

Handy Tips:
5 Lever Mortice Lock.

Additional Extras

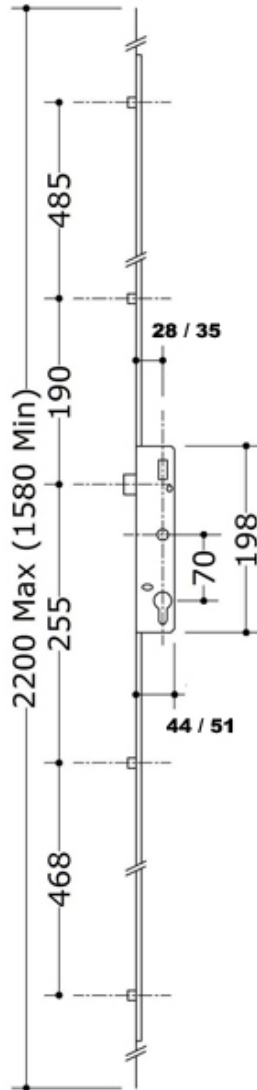
Door Handles - Lever/Lever:
MPL171 - B/G/PC/W

Door Handles - Lever/Pad:
MPL453 - G/W/PC

Door Keeps / Strikes:
1 x Latch Keep - MPL144
1 x Deadbolt Keeps (Pair) - MPL476

Ferco 4 Roller

Part No	Backset	Centres/PZ	Faceplate	Spindle
MPL19	28mm	70mm	16mm Flat	Single 7mm
MPL20	35mm	70mm	16mm Flat	Single 7mm



Additional Information

Latch Reversal:

Insert screw driver into slot on side of case, pull latch out, reverse, and re-insert.

Operation:

Lever / Lever

Handy Tips:

Replaces old 2 mushroom
2 roller Ferco mechanism.
28mm stamped .28
35mm stamped .35

Additional Extras

Door Handles - Lever/Lever:

MPL173 - G/S/W/B

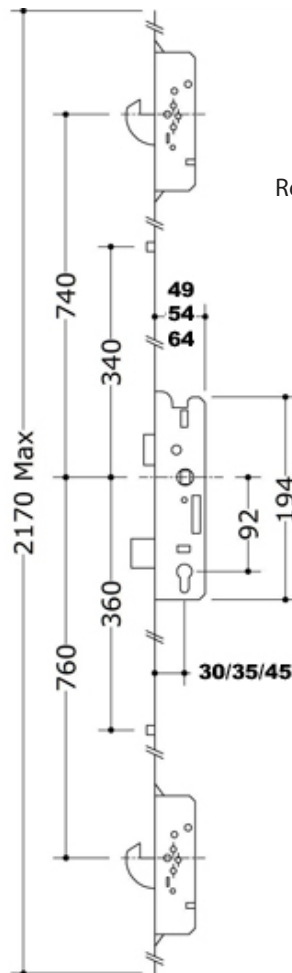
Door Keeps / Strikes:

1 x Latch Keep - MPL144
4 x Roller Keep - MPL148

Fuhr

2 Hook 2 Roller

Part No	Backset	Centres/PZ	Faceplate	Spindle
MPL22	30mm	92mm	16mm Flat	Single (8mm)
MPL23	35mm	92mm	16mm Flat	Single (8mm)
MPL194	35mm	92mm	16mm Flat	Split Single (8mm)
MPL613	45mm	92mm	16mm Flat	Single (8mm)



Additional Information

Latch Reversal:
Remove allen key in side of latch / case.

Operation:
Lever / Lever or Lever/Pad

Handy Tips:

Additional Extras

Door Handles - Lever/Lever:
MPL171 - B/G/PC/W

Door Handles - Lever/Pad:
MPL453 - G/W/PC

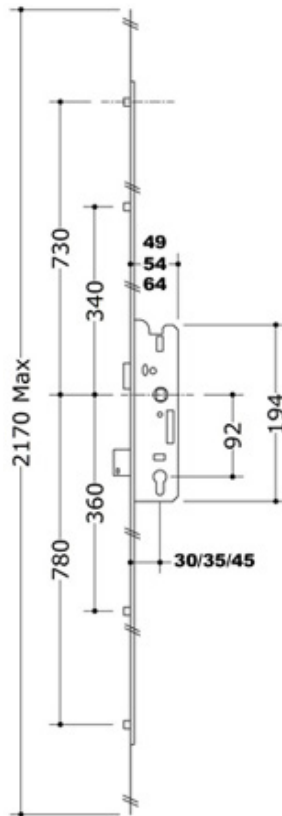
Door Keeps / Strikes:
1 x Latch & DB Keep L/H - MPL254LH
1 x Latch & DB Keep R/H - MPL254RH
1 x Hook Keeps (Pair) - MPL476
2 x Roller Keep - MPL148

Fuhr

4 Roller



Part No	Backset	Centres/PZ	Faceplate	Spindle
MPL315	25mm	92mm	16mm Flat	Single (8mm)
MPL570	25mm	92mm	16mm Flat	Single - KEY WIND
MPL27	30mm	92mm	16mm Flat	Single (8mm)
MPL28	35mm	92mm	16mm Flat	Single (8mm)
MPL614	35mm	92mm	16mm Flat	Split Single (8mm)
MPL442	35mm	92mm	16mm Flat	Single - KEY WIND
MPL29	45mm	92mm	16mm Flat	Single (8mm)
MPL487	45mm	92mm	24mm URail	Single (8mm)



Additional Information

Latch Reversal:
Remove allen key in side of latch / case.

Operation:
Lever / Lever, Lever/Pad, Key Wind

Handy Tips:

Additional Extras

Door Handles - Lever/Lever:
MPL171 - B/G/PC/W

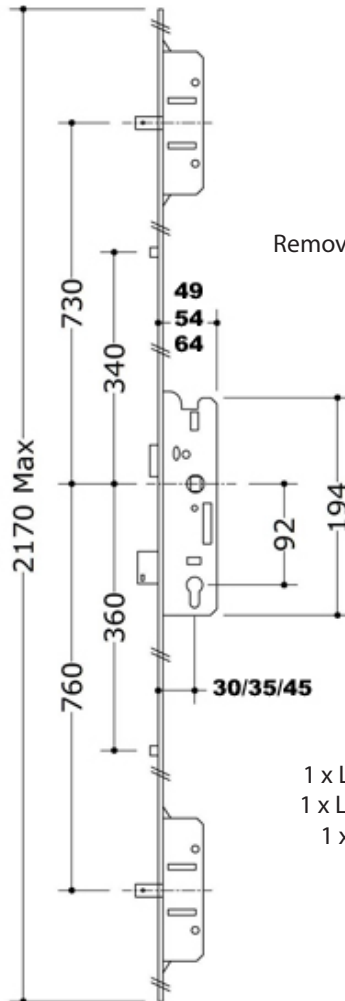
Door Handles - Lever/Pad:
MPL453 - G/W/PC

Door Keeps / Strikes:
1 x Latch & DB Keep L/H - MPL254LH
1 x Latch & DB Keep R/H - MPL254RH
4 x Roller Keep - MPL148

Fuhr

2 Shootpin 2 Roller

Part No	Backset	Centres/PZ	Faceplate	Spindle
MPL24	30mm	92mm	16mm Flat	Single (8mm)
MPL25	35mm	92mm	16mm Flat	Single (8mm)



Additional Information

Latch Reversal:
Remove allen key in side of latch / case.

Operation:
Lever / Lever

Handy Tips:

Additional Extras

Door Handles - Lever/Lever:
MPL171 - B/G/PC/W

Door Handles - Lever/Pad:
MPL453 - G/W/PC

Door Keeps / Strikes:
1 x Latch & DB Keep L/H - MPL254LH
1 x Latch & DB Keep R/H - MPL254RH
1 x Deadbolt Keeps (Pair) - MPL476
2 x Roller Keep - MPL148

Fuhr

Overnight Lock

Part No	Backset	Centres/PZ	Deadbolt / Hook	Spindle
MPL35	35mm	92mm	Deadbolt	Single 8mm
MPL615	45mm	92mm	Deadbolt	Single 8mm



Additional Information

Latch Reversal:
Remove allen key in side of latch / case.

Operation:
Lever / Lever

Handy Tips:

Additional Extras

Door Handles - Lever/Lever:
MPL171 - B/G/PC/W

Door Handles - Lever/Pad:
MPL453 - G/W/PC

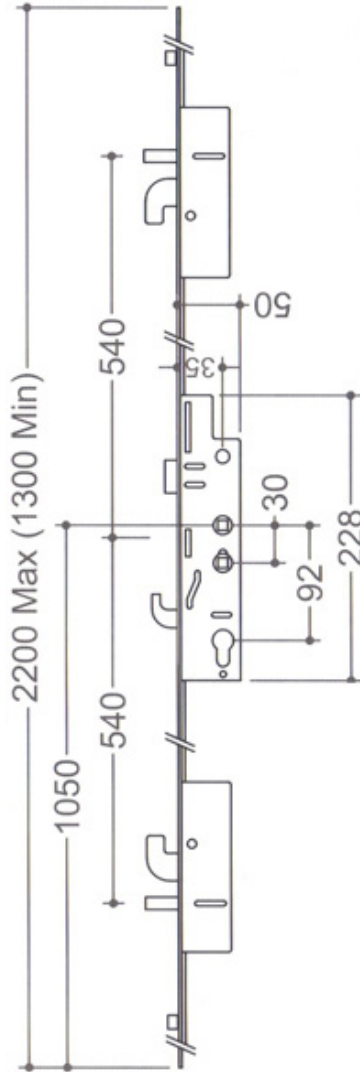
Door Keeps / Strikes:
1 x Latch & DB Keep L/H - MPL254LH
1 x Latch & DB Keep R/H - MPL254RH

(Please note a similar overnight lock may be supplied dependant upon stock with slightly different case measurements - they all fit in the place of common uPVC door locks with minimal adjustment.)

Fullex XL

3 Hook 2 Roller 2 Anti Lift (540/540)

Part No	Backset	Centres/PZ	Faceplate	Spindle
MPL451	35mm	92mm	16mm Flat	Single (8mm)
MPL616	35mm	92mm 62MM	16mm Flat	Dual (8mm)



Additional Information

Latch Reversal:
Remove screw in the latch.

Operation:
Lever / Lever or Lever/Pad

Handy Tips:

Additional Extras

Door Handles - Lever/Lever:
MPL178 - G/PC/W/B

Door Handles - Lever/Pad:
MPL454 - W/G/PC

Door Keeps / Strikes:

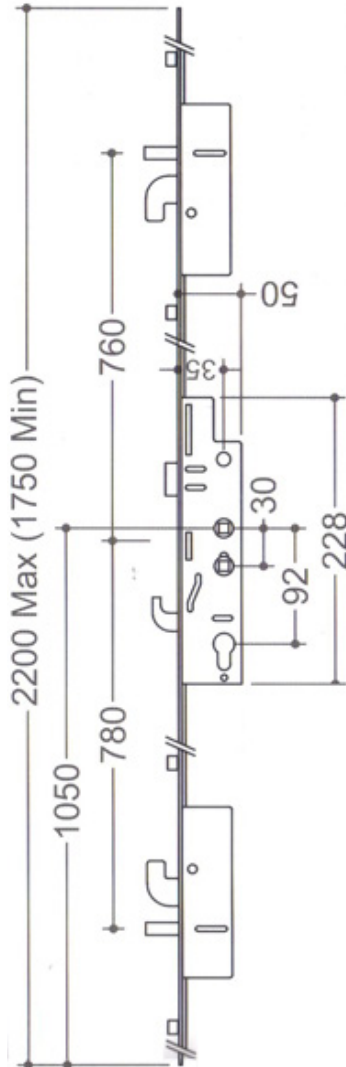
Multipoint Locks

Fullex XL

3 Hook 4 Roller 2 Anti Lift (780/760)



Part No	Backset	Centres/PZ	Faceplate	Spindle
MPL617	35mm	92mm	16mm Flat	Single (8mm)
MPL618	35mm	92mm / 62mm	16mm Flat	Double (8mm)
MPL619	45mm	92mm / 62mm	44mm U	Double (8mm)



Additional Information

Latch Reversal:
Remove screw in the latch.

Operation:
Lever / Lever or Lever/Pad

Handy Tips:

Additional Extras

Door Handles - Lever/Lever:
MPL178 - G/PC/W/B

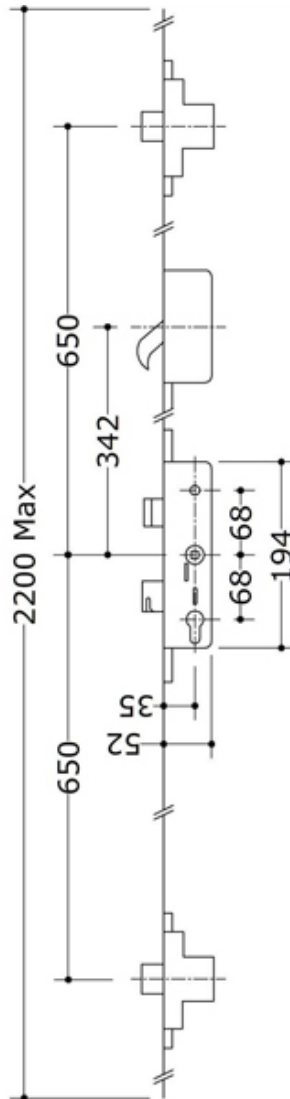
Door Handles - Lever/Pad:
MPL454 - W/G/PC

Door Keeps / Strikes:

Fullex SL16

3 Deadbolt 1 Hook

Part No	Backset	Centres/PZ	Faceplate	Spindle
MPL264	35mm	68mm	16mm Flat	Single Split (8mm)



Additional Information

Latch Reversal:
Remove screw in latch.

Operation:
Lever / Lever or Lever/Pad

Handy Tips:

Additional Extras

Door Handles - Lever/Lever:
MPL179 - G/S/W

Door Handles - Lever/Pad:
MPL455 - G/S/W

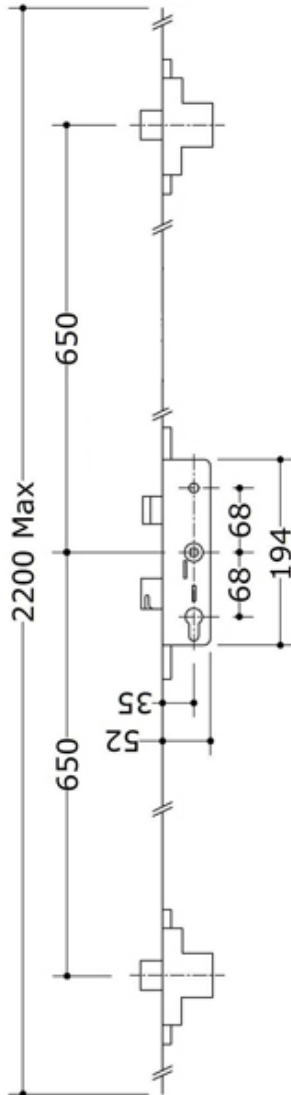
Door Keeps / Strikes:
1 x Latch Keep - MPL144
2 x Deadbolt Keeps (Pair) - MPL476

Fullex SL16

3 Deadbolt



Part No	Backset	Centres/PZ	Faceplate	Spindle
MPL622	35mm	68mm	16mm Flat	Single Split (8mm)
MPL623	45mm	68mm	20mm Radius	Single Split (8mm)



Additional Information

Latch Reversal:
Remove screw in latch.

Operation:
Lever / Lever or Lever/Pad

Handy Tips:

Additional Extras

Door Handles - Lever/Lever:
MPL179 - G/S/W

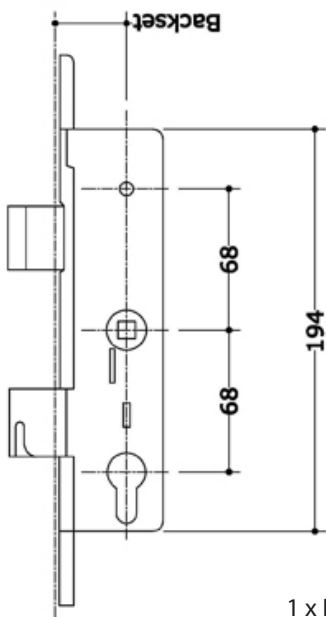
Door Handles - Lever/Pad:
MPL455 - G/S/W

Door Keeps / Strikes:
1 x Latch Keep - MPL144
2 x Deadbolt Keeps (Pair) - MPL476

Fullex SL16

Centre Case

Part No	Backset	Centres/PZ	Deadbolt / Hook	Spindle
MPL37	35mm	68mm	Deadbolt	Single Split 8mm
MPL38	45mm	68mm	Deadbolt	Single Split 8mm
MPL39	55mm	68mm	Deadbolt	Single Split 8mm



Additional Information

Latch Reversal:
Remove screw in latch.

Operation:
Lever / Lever or Lever/Pad

Handy Tips:

Additional Extras

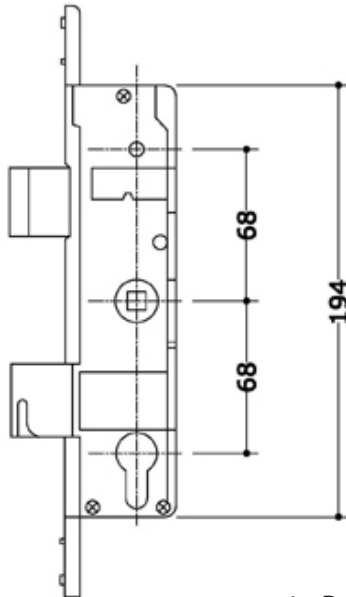
Door Handles - Lever/Lever:
MPL179 - G/S/W

Door Handles - Lever/Pad:
MPL455 - G/S/W

Door Keeps / Strikes:
1 x Latch Keep - MPL144
1 x Deadbolt Keeps (Pair) - MPL476

Fullex Old Style Centre Case

Part No	Backset	Centres/PZ	Deadbolt / Hook	Spindle
MPL195	35mm	68mm	Deadbolt	Single Split 8mm



Additional Information

Latch Reversal:
Remove screw in latch.

Operation:
Lever / Lever or Lever/Pad

Handy Tips:

Additional Extras

Door Handles - Lever/Lever:
MPL179 - G/S/W

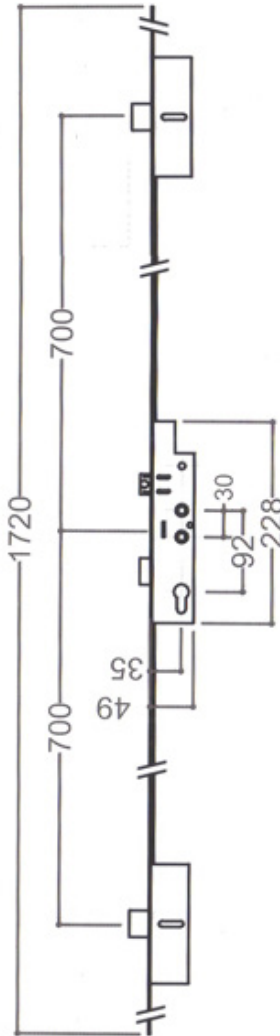
Door Handles - Lever/Pad:
MPL455 - G/S/W

Door Keeps / Strikes:
1 x Latch Keep - MPL144
1 x Deadbolt Keeps (Pair) - MPL476

Fullex Crimebeater

3 Deadbolt

Part No	Backset	Centres/PZ	Faceplate	Spindle
MPL624	35mm	92mm	20mm Radius	Dual (8mm)
MPL625	45mm	92mm	20mm Radius	Dual (8mm)
MPL626	55mm	92mm	20mm Radius	Dual (8mm)



Additional Information

Latch Reversal:
Remove screw in latch.

Operation:
Lever / Lever or Lever/Pad

Handy Tips:

Additional Extras

Door Handles - Lever/Lever:
MPL178 - G/PC/W/B

Door Handles - Lever/Pad:
MPL454 - W/G/PC

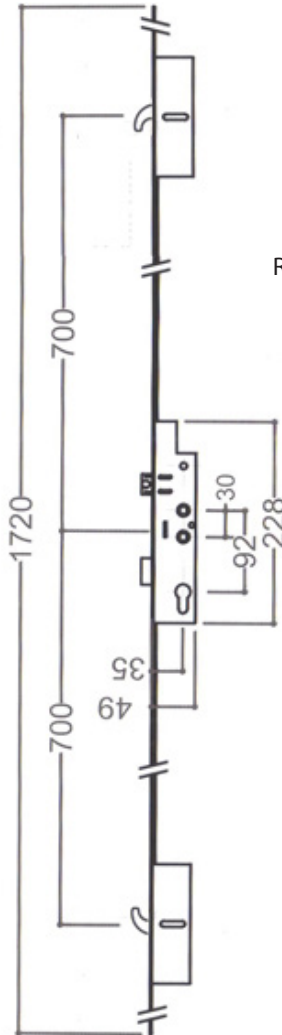
Door Keeps / Strikes:
1 x Latch Keep - MPL144
2 x Deadbolt Keeps (Pair) - MPL476

Fullex Crimebeater

2 Hook



Part No	Backset	Centres/PZ	Faceplate	Spindle
MPL627	35mm	92mm	20mm Radius	Dual (8mm)
MPL628	45mm	92mm	20mm Radius	Dual (8mm)
MPL629	55mm	92mm	20mm Radius	Dual (8mm)



Additional Information

Latch Reversal:
Remove allen key in side of latch / case.

Operation:
Lever / Lever or Lever/Pad

Handy Tips:

Additional Extras

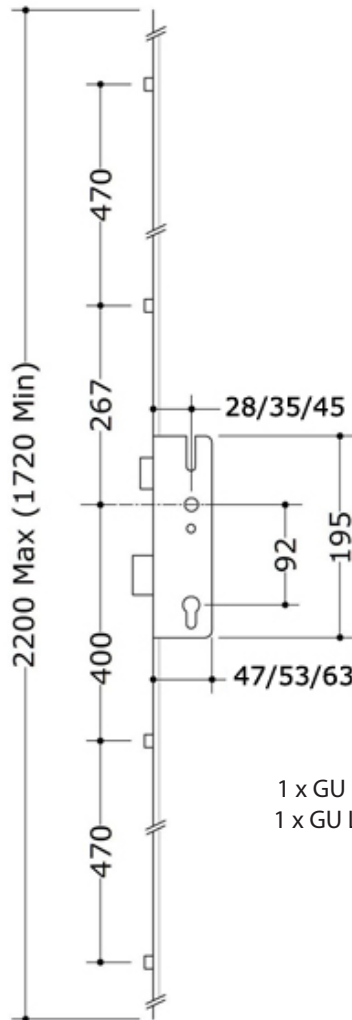
Door Handles - Lever/Lever:
MPL178 - G/PC/W/B

Door Handles - Lever/Pad:
MPL454 - W/G/PC

Door Keeps / Strikes:
1 x Latch Keep - MPL144
1 x Deadbolt Keeps (Pair) - MPL476
1 x Hook Keeps (Pair) - MPL476

GU 4 Roller

Part No	Backset	Centres/PZ	Faceplate	Spindle
MPL52	28mm	92mm	16mm Flat	Single (8mm)
MPL54	35mm	92mm	16mm Flat	Single (8mm)
MPL523	35mm	92mm	16mm Flat	Split Single (8mm)
MPL630	45mm	92mm	16mm Flat	Single (8mm)



Additional Information

Latch Reversal:
Push flat headed screw driver into slot on side of case.

Operation:
Lever / Lever or Lever/Pad

Handy Tips:

Additional Extras

Door Handles - Lever/Lever:
MPL171 - B/G/PC/W

Door Handles - Lever/Pad:
MPL453 - G/W/PC

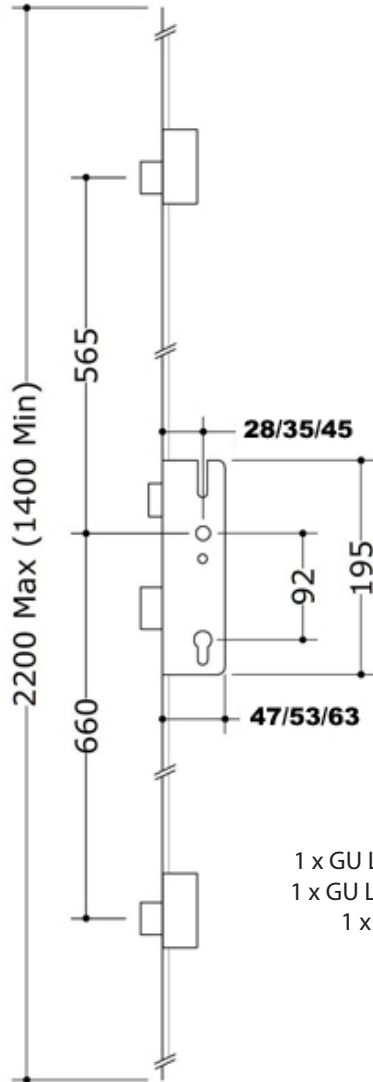
Door Keeps / Strikes:
1 x GU Latch & DB Keep LH - MPL621LH
1 x GU Latch & DB Keep RH - MPL621RH
4 x Roller Keep - MPL148



GU

3 Deadbolt (1225mm Centres)

Part No	Backset	Centres/PZ	Faceplate	Spindle
MPL44	28mm	92mm	16mm Flat	Single (8mm)
MPL46	35mm	92mm	16mm Flat	Single (8mm)



Additional Information

Latch Reversal:
Push flat headed screw driver into slot on side of case.

Operation:
Lever / Lever or Lever/Pad

Handy Tips:

Additional Extras

Door Handles - Lever/Lever:
MPL171 - B/G/PC/W

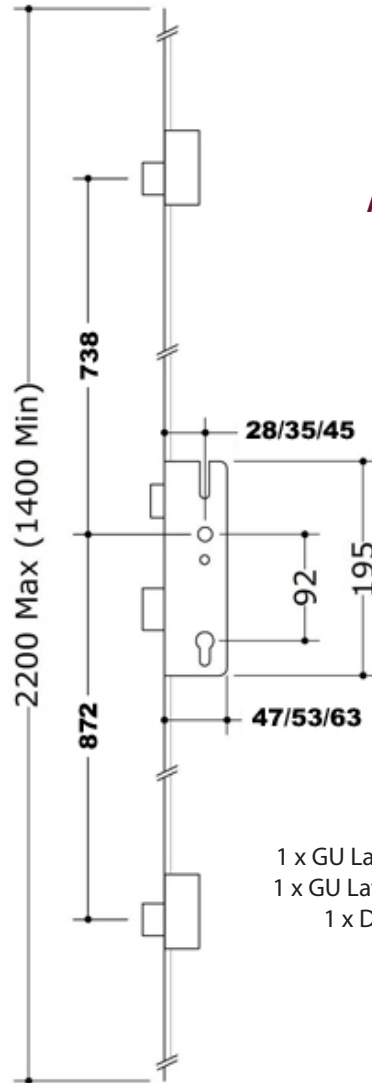
Door Handles - Lever/Pad:
MPL453 - G/W/PC

Door Keeps / Strikes:
1 x GU Latch & DB Keep LH - MPL621LH
1 x GU Latch & DB Keep RH - MPL621RH
1 x Deadbolt Keeps (Pair) - MPL476

GU

3 Deadbolt (1610mm Centres)

Part No	Backset	Centres/PZ	Faceplate	Spindle
MPL521	28mm	92mm	16mm Flat	Single (8mm)
MPL522	35mm	92mm	16mm Flat	Single (8mm)



Additional Information

Latch Reversal:
Push flat headed screw driver into slot on side of case.

Operation:
Lever / Lever or Lever/Pad

Handy Tips:

Additional Extras

Door Handles - Lever/Lever:
MPL171 - B/G/PC/W

Door Handles - Lever/Pad:
MPL453 - G/W/PC

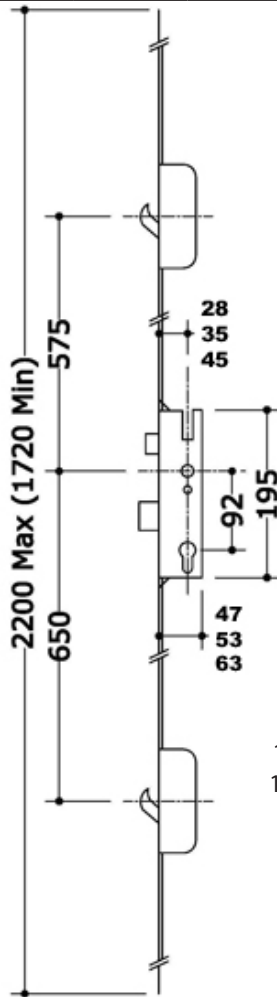
Door Keeps / Strikes:

- 1 x GU Latch & DB Keep LH - MPL621LH
- 1 x GU Latch & DB Keep RH - MPL621RH
- 1 x Deadbolt Keeps (Pair) - MPL476



GU 2 Hook

Part No	Backset	Centres/PZ	Faceplate	Spindle
MPL48	28mm	92mm	1.6mm Flat	Single (8mm)
MPL525	28mm	92mm	1.6mm Flat	Single Split (8mm)
MPL50	35mm	92mm	1.6mm Flat	Single (8mm)
MPL526	35mm	92mm	1.6mm Flat	Single Split (8mm)
MPL631	45mm	92mm	1.6mm Flat	Single (8mm)



Additional Information

Latch Reversal:
Push flat headed screw driver into slot on side of case.

Operation:
Lever / Lever or Lever/Pad

Handy Tips:

Additional Extras

Door Handles - Lever/Lever:
MPL171 - B/G/PC/W

Door Handles - Lever/Pad:
MPL453 - G/W/PC

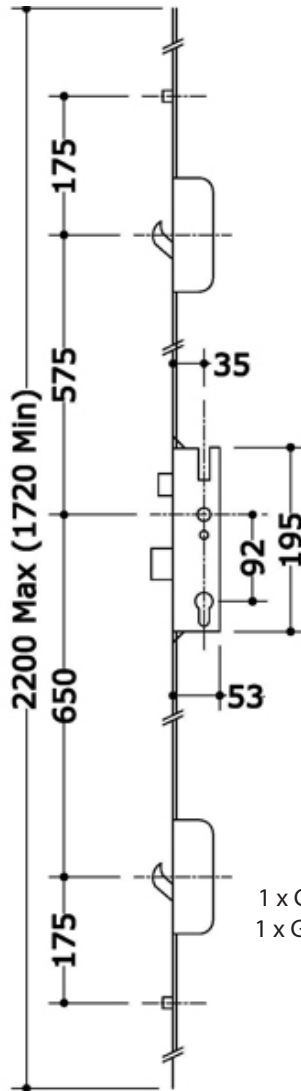
Door Keeps / Strikes:
1 x GU Latch & DB Keep LH - MPL621LH
1 x GU Latch & DB Keep RH - MPL621RH
1 x Hook Keeps (Pair) - MPL476



GU

2 Hook 2 Roller (1225mm Centres)

Part No	Backset	Centres/PZ	Faceplate	Spindle
MPL632	35mm	92mm	16mm Flat	Single (8mm)



Additional Information

Latch Reversal:
Push flat headed screw driver into slot on side of case.

Operation:
Lever / Lever or Lever/Pad

Handy Tips:

Additional Extras

Door Handles - Lever/Lever:
MPL171 - B/G/PC/W

Door Handles - Lever/Pad:
MPL453 - G/W/PC

Door Keeps / Strikes:

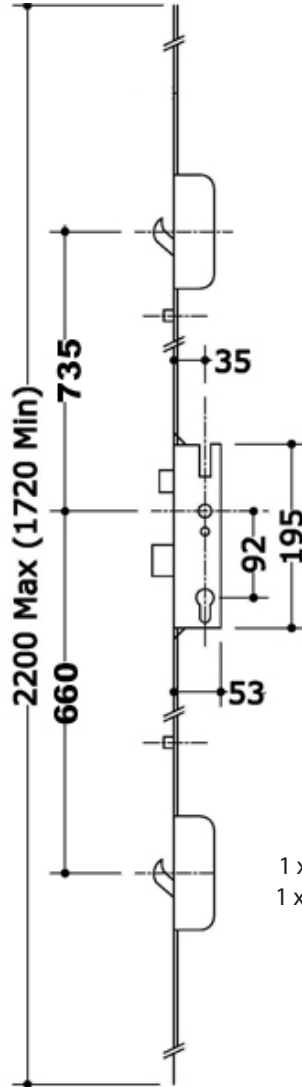
- 1 x GU Latch & DB Keep LH - MPL621LH
- 1 x GU Latch & DB Keep RH - MPL621RH
- 1 x Hook Keeps (Pair) - MPL476
- 2 x Roller Keeps - MPL148



GU

2 Hook 2 Roller (1395mm Centres)

Part No	Backset	Centres/PZ	Faceplate	Spindle
MPL633	35mm	92mm	16mm Flat	Single (8mm)



Additional Information

Latch Reversal:
Push flat headed screw driver into slot on side of case.

Operation:
Lever / Lever or Lever/Pad

Handy Tips:

Additional Extras

Door Handles - Lever/Lever:
MPL171 - B/G/PC/W

Door Handles - Lever/Pad:
MPL453 - G/W/PC

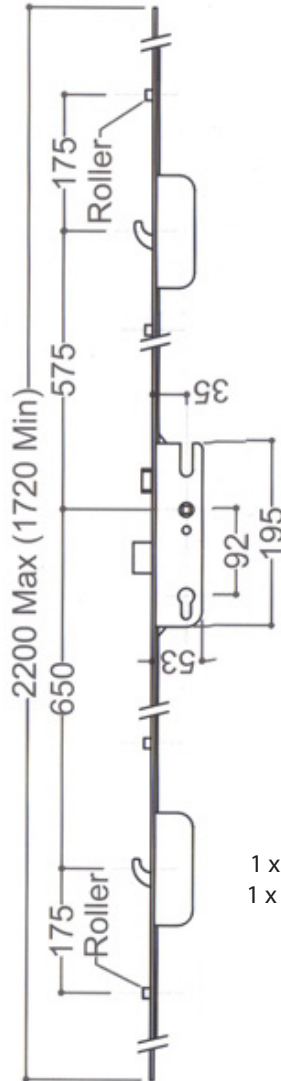
Door Keeps / Strikes:
1 x GU Latch & DB Keep LH - MPL621LH
1 x GU Latch & DB Keep RH - MPL621RH
1 x Hook Keeps (Pair) - MPL476
2 x Roller Keeps - MPL148



GU

2 Hook 4 Roller (1225mm Centres)

Part No	Backset	Centres/PZ	Faceplate	Spindle
MPL634	35mm	92mm	16mm Flat	Single (8mm)



Additional Information

Latch Reversal:
Push flat headed screw driver into slot on side of case.

Operation:
Lever / Lever or Lever/Pad

Handy Tips:

Additional Extras

Door Handles - Lever/Lever:
MPL171 - B/G/PC/W

Door Handles - Lever/Pad:
MPL453 - G/W/PC

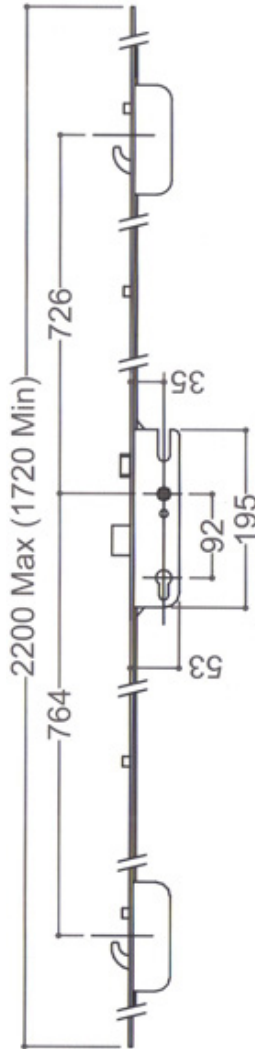
Door Keeps / Strikes:
1 x GU Latch & DB Keep LH - MPL621LH
1 x GU Latch & DB Keep RH - MPL621RH
1 x Hook Keeps (Pair) - MPL476
4 x Roller Keeps - MPL148



GU

2 Hook 4 Roller (1490mm Centres)

Part No	Backset	Centres/PZ	Faceplate	Spindle
MPL635	35mm	92mm	1 6mm Flat	Single (8mm)



Additional Information

Latch Reversal:
Push flat headed screw driver into slot on side of case.

Operation:
Lever / Lever or Lever/Pad

Handy Tips:

Additional Extras

Door Handles - Lever/Lever:
MPL171 - B/G/PC/W

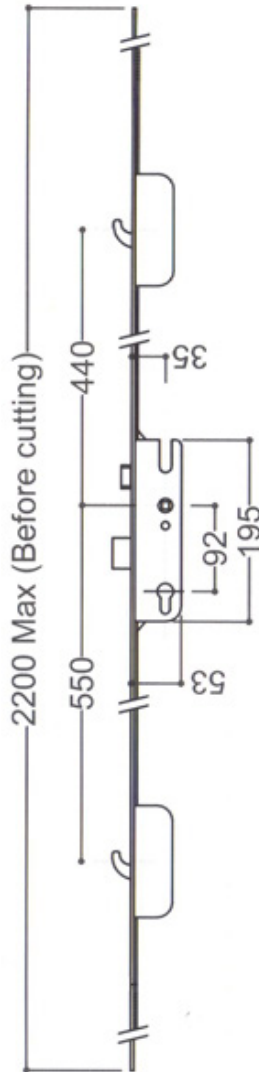
Door Handles - Lever/Pad:
MPL453 - G/W/PC

Door Keeps / Strikes:
1 x GU Latch & DB Keep LH - MPL621LH
1 x GU Latch & DB Keep RH - MPL621RH
1 x Hook Keeps (Pair) - MPL476
4 x Roller Keeps - MPL148

GU

2 Hook (short - 990mm Centres)

Part No	Backset	Centres/PZ	Faceplate	Spindle
MPL500	35mm	92mm	16mm Flat	Single (8mm)



Additional Information

Latch Reversal:
Push flat headed screw driver into slot on side of case.

Operation:
Lever / Lever or Lever/Pad

Handy Tips:

Additional Extras

Door Handles - Lever/Lever:
MPL171 - B/G/PC/W

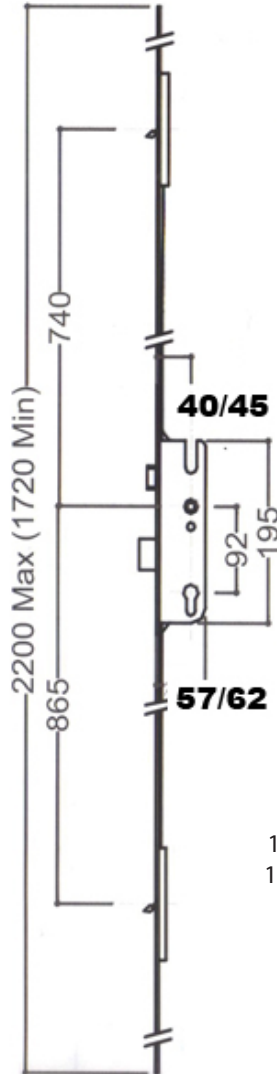
Door Handles - Lever/Pad:
MPL453 - G/W/PC

Door Keeps / Strikes:
1 x GU Latch & DB Keep LH - MPL621LH
1 x GU Latch & DB Keep RH - MPL621RH
1 x Hook Keeps (Pair) - MPL476

GU Tripac

2 Small Hooks

Part No	Backset	Centres/PZ	Faceplate	Spindle
MPL488	40mm	92mm	16mm Flat	Single (8mm)
MPL465	45mm	92mm	16mm Flat	Single (8mm)



Additional Information

Latch Reversal:
Push flat headed screw driver into slot on side of case.

Operation:
Lever / Lever

Handy Tips:

Additional Extras

Door Handles - Lever/Lever:
MPL171 - B/G/PC/W

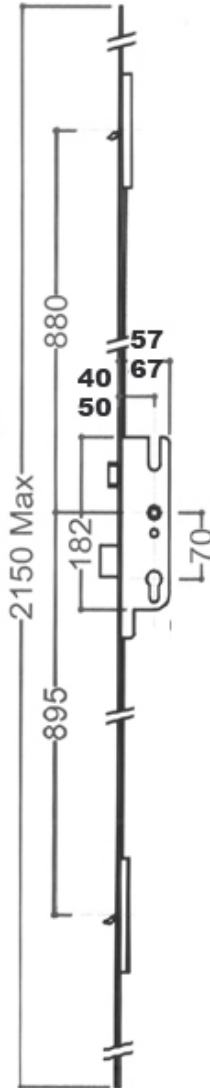
Door Handles - Lever/Pad:
MPL453 - G/W/PC

Door Keeps / Strikes:
1 x GU Latch & DB Keep LH - MPL621LH
1 x GU Latch & DB Keep RH - MPL621RH
1 x Hook Keeps (Pair) - MPL476

GU Tripac

2 Small Hooks

Part No	Backset	Centres/PZ	Faceplate	Spindle
MPL159	40mm	70mm	20mm Flat	Single (7mm)
MPL160	50mm	70mm	20mm Flat	Single (7mm)



Additional Information

Latch Reversal:
Push flat headed screw driver into slot on side of case.

Operation:
Lever / Lever

Handy Tips:

Additional Extras

Door Handles - Lever/Lever:
MPL173 - G/S/W/B

Door Keeps / Strikes:
1 x GU Latch & DB Keep LH - MPL621LH
1 x GU Latch & DB Keep RH - MPL621RH
1 x Hook Keeps (Pair) - MPL476

GU

Old Style Centre Case

Part No	Backset	Centres/PZ	Deadbolt / Hook	Spindle
MPL564	35mm	92mm	Deadbolt	Single Split 8mm



Additional Information

Latch Reversal:
Latch rotates round.

Operation:
Lever / Lever or Lever/Pad

Handy Tips:
Replaces all old style GU centre cases - only available in 35mm.

Additional Extras

Door Handles - Lever/Lever:
MPL171 - B/G/PC/W

Door Handles - Lever/Pad:
MPL453 - G/W/PC

Door Keeps / Strikes:
1 x GU Latch & DB Keep LH - MPL621LH
1 x GU Latch & DB Keep RH - MPL621RH

Gibbons

Centre Case

Part No	Backset	Centres/PZ	Snib	Spindle
MPL40	30mm	48mm / 85mm	With snib	Double 8mm
MPL41	30mm	48mm / 85mm	Without snib	Double 8mm



Additional Information

Latch Reversal:

Operation:
Lever / Lever or Lever/Pad

Handy Tips:
Deadbolts can connect to top and bottom sliders. Commonly used in aluminium doors. Lowe 48mm spindle most commonly used.

Additional Extras

Door Handles - Lever/Lever:
MPL174 - G/W

Door Handles - Lever/Pad:

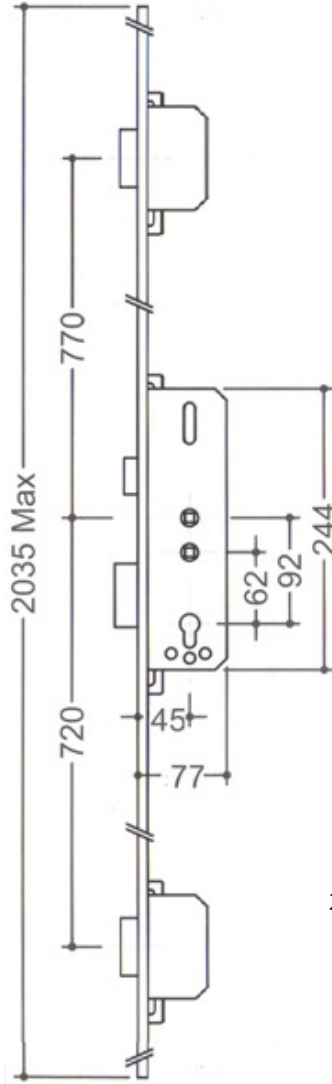
Door Keeps / Strikes:
1 x Latch Keep - MPL144
1 x Deadbolt Keeps (Pair) - MPL476

Gridlock

3 Deadbolt



Part No	Backset	Centres/PZ	Faceplate	Spindle
MPL212	45mm	92mm	22m U Rail	Single (8mm)



Additional Information

Latch Reversal:
Remove Phillips screw on back of centre case.

Operation:
Lever / Lever

Handy Tips:

Additional Extras

Door Handles - Lever/Lever:
MPL445 - G/C

Door Handles - Lever/Pad:
N/A

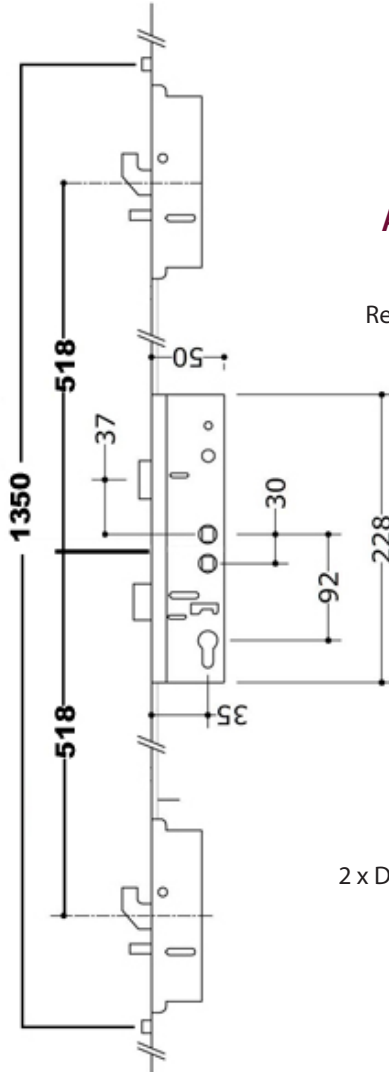
Door Keeps / Strikes:
1 x Latch Keep - MPL144
2 x Deadbolt Keeps (Pair) - MPL476

Lockmaster / Mila Master

2 Hook 2 Roller 2 Anti-Lift (1040mm Centres)



Part No	Backset	Centres/PZ	Faceplate	Spindle
MPL176	35mm	92mm	16mm Flat	Single (8mm)
MPL636	35mm	92mm / 62mm	16mm Flat	Double (8mm)



Additional Information

Latch Reversal:
Remove screw in centre of latch.

Operation:
Lever / Lever or Lever/Pad

Handy Tips:

Additional Extras

Door Handles - Lever/Lever:
MPL178 - G/PC/W/B

Door Handles - Lever/Pad:
MPL454 - W/G/PC

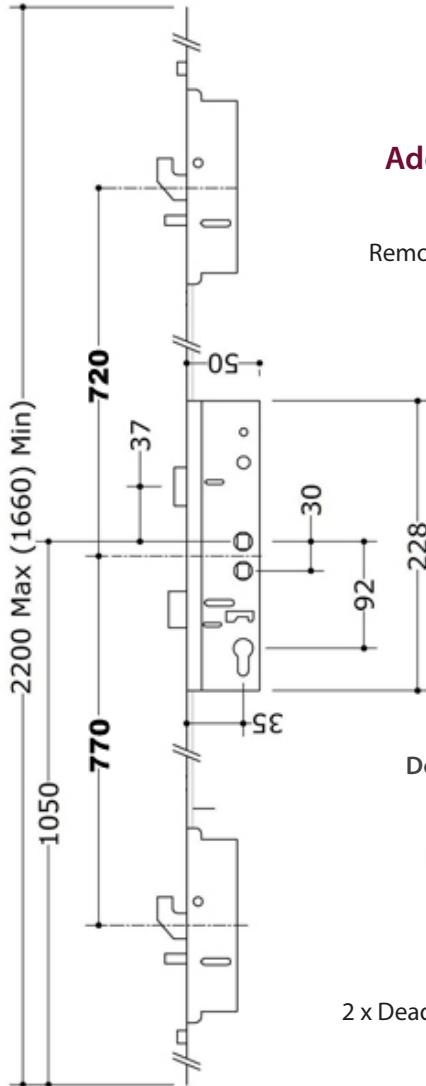
Door Keeps / Strikes:
1 x Latch Keep - MPL144
2 x Deadbolt Keeps (Pair) - MPL476
2 x Roller Keep - MPL148

Lockmaster / Mila Master

2 Hook 2 Roller 2 Anti-Lift (1490mm Centres)



Part No	Backset	Centres/PZ	Faceplate	Spindle
MPL637	35mm	92mm	16mm Flat	Single (8mm)
MPL638	35mm	92mm / 62mm	16mm Flat	Double (8mm)



Additional Information

Latch Reversal:
Remove screw in centre of latch.

Operation:
Lever / Lever or Lever/Pad

Handy Tips:

Additional Extras

Door Handles - Lever/Lever:
MPL178 - G/PC/W/B

Door Handles - Lever/Pad:
MPL454 - W/G/PC

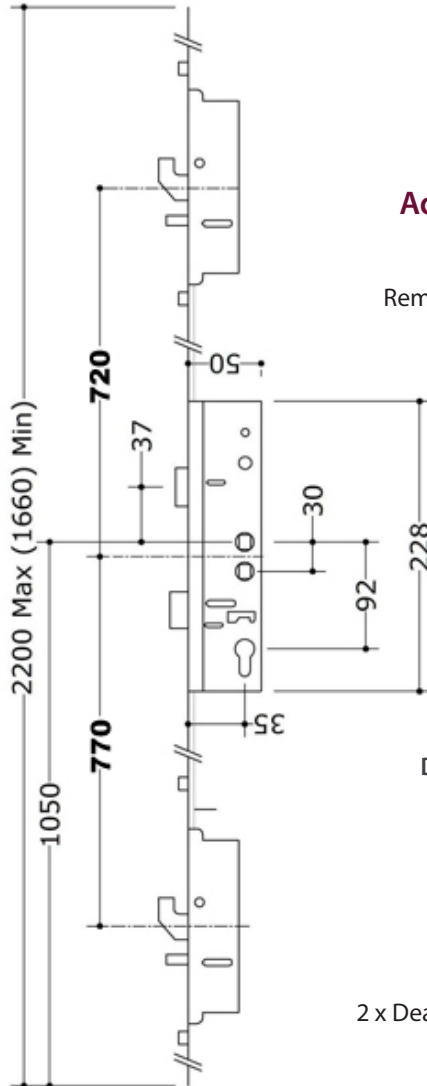
Door Keeps / Strikes:
1 x Latch Keep - MPL144
2 x Deadbolt Keeps (Pair) - MPL476
2 x Roller Keep - MPL148

Lockmaster / Mila Master

2 Hook 4 Roller 2 Anti-Lift (1490mm Centres)



Part No	Backset	Centres/PZ	Faceplate	Spindle
MPL537	35mm	92mm	16mm Flat	Single (8mm)
MPL639	35mm	92mm / 62mm	16mm Flat	Double (8mm)



Additional Information

Latch Reversal:
Remove screw in centre of latch.

Operation:
Lever / Lever or Lever/Pad

Handy Tips:

Additional Extras

Door Handles - Lever/Lever:
MPL178 - G/PC/W/B

Door Handles - Lever/Pad:
MPL454 - W/G/PC

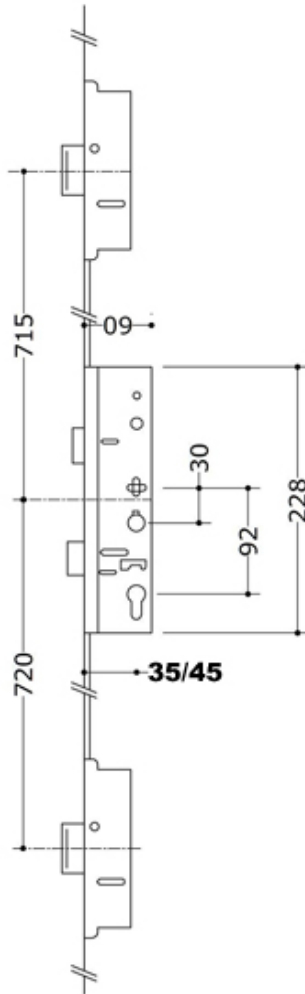
Door Keeps / Strikes:
1 x Latch Keep - MPL144
2 x Deadbolt Keeps (Pair) - MPL476
4 x Roller Keep - MPL148

Lockmaster / Mila Master

3 Deadbolt



Part No	Backset	Centres/PZ	Faceplate	Spindle
MPL74	35mm	92mm	16mm Flat	Single (8mm)
MPL640	35mm	92mm / 62mm	16mm Flat	Double (8mm)
MPL75	45mm	92mm	16mm Flat	Single (8mm)
MPL641	45mm	92mm / 62mm	16mm Flat	Double (8mm)



Additional Information

Latch Reversal:
Remove screw in centre of latch.

Operation:
Lever / Lever or Lever/Pad

Handy Tips:

Additional Extras

Door Handles - Lever/Lever:
MPL178 - G/PC/W/B

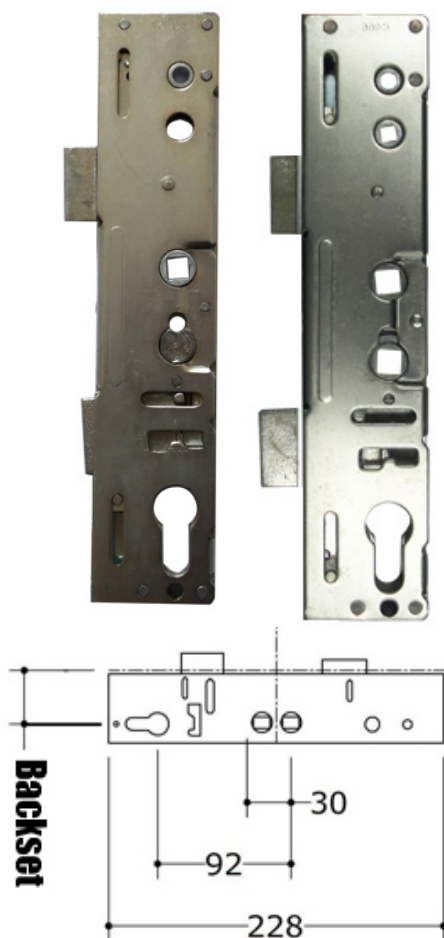
Door Handles - Lever/Pad:
MPL454 - W/G/PC

Door Keeps / Strikes:
1 x Latch Keep - MPL144
2 x Deadbolt Keeps (Pair) - MPL476

Lockmaster / Mila Master

Centre Case

Part No	Backset	Centres/PZ	Deadbolt / Hook	Spindle
MPL429	35mm	92mm	Deadbolt	Single (8mm)
MPL642	35mm	92mm / 62mm	Deadbolt	Double (8mm)
MPL439	45mm	92mm	Deadbolt	Single (8mm)
MPL643	45mm	92mm / 62mm	Deadbolt	Double (8mm)
MPL644	35mm	92mm / 62mm	Hook	Double (8mm)



Additional Information

Latch Reversal:
Remove screw in latch.

Operation:
Lever / Lever or Lever/Pad

Handy Tips:

Additional Extras

Door Handles - Lever/Lever:
MPL178 - G/PC/W/B

Door Handles - Lever/Pad:
MPL454 - W/G/PC

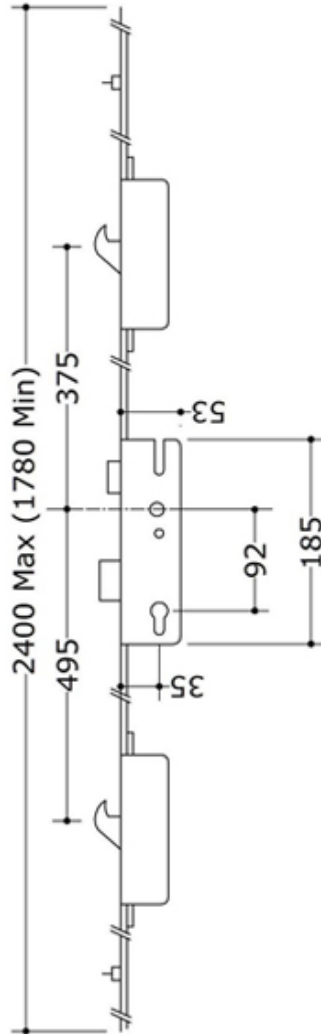
Door Keeps / Strikes:
1 x Latch Keep - MPL144
1 x Deadbolt Keeps (Pair) - MPL476



Maco

2 Hook 2 Roller

Part No	Backset	Centres/PZ	Faceplate	Spindle
MPL83	35mm	92mm	1 6mm Flat	Single (8mm)
MPL462	35mm	92mm	1 6mm Flat	Single Split (8mm)



Additional Information

Latch Reversal:

Push in button on side of case, pull latch out (may need pliers).

Operation:

Lever / Lever or Lever/Pad

Handy Tips:

Changed slightly to old version. Hook case positions are same but hook positions are 25mm different to old lock. Serrated teeth also operate in opposite directions so shootbolts need to be reversed.

Additional Extras

Door Handles - Lever/Lever:

MPL171 - B/G/PC/W

Door Handles - Lever/Pad:

MPL453 - G/W/PC

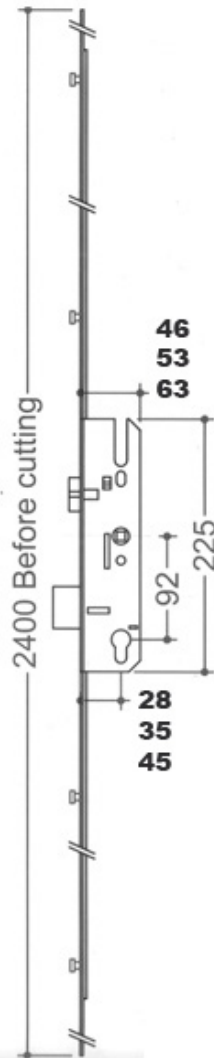
Door Keeps / Strikes:

- 1 x Latch Keep - MPL144
- 1 x Deadbolt Keeps (Pair) - MPL476
- 1 x Hook Keeps (Pair) - MPL476
- 2 x Roller Keep - MPL148

Maco 4 Roller



Part No	Backset	Centres/PZ	Faceplate	Spindle
MPL509	28mm	92mm	16mm Flat	Single (8mm)
MPL645	35mm	92mm	16mm Flat	Single (8mm)
MPL646	45mm	92mm	16mm Flat	Single (8mm)



Additional Information

Latch Reversal:

Push in button on side of case, pull latch out (may need pliers).

Operation:

Lever / Lever or Lever/Pad

Handy Tips:

Additional Extras

Door Handles - Lever/Lever:

MPL171 - B/G/PC/W

Door Handles - Lever/Pad:

MPL453 - G/W/PC

Door Keeps / Strikes:

1 x Latch Keep - MPL144

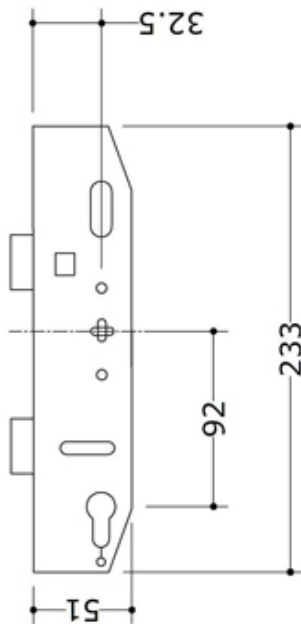
1 x Deadbolt Keeps (Pair) - MPL476

4 x Roller Keep - MPL148

Mila

Centre Case

Part No	Backset	Centres/PZ	Deadbolt / Hook	Spindle
MPL723	25mm	92mm	Deadbolt - Latch Only	Single Split 8mm
MPL647	28mm	92mm	Deadbolt - Latch Only	Single Split 8mm
MPL648	35mm	92mm	Deadbolt - Latch Only	Single Split 8mm
MPL649	45mm	92mm	Deadbolt - Latch Only	Single Split 8mm
MPL92	35mm	92mm	Latch & Deadbolt	Single Split 8mm
MPL91	35mm	92mm / 62mm	Latch & Deadbolt	Double 8mm



Additional Information

Latch Reversal:
Remove Phillips screws on side of centre case.

Operation:
Lever / Lever or Lever/Pad

Handy Tips:

Additional Extras

Door Handles - Lever/Lever:
MPL171 - B/G/PC/W

Door Handles - Lever/Pad:
N/A

Door Keeps / Strikes:
1 x Latch Keep - MPL144
1 x Deadbolt Keeps (Pair) - MPL476

Mila Evolution

Centre Case

Part No	Backset	Centres/PZ	Deadbolt / Hook	Spindle
MPL459	35mm	92mm	Deadbolt	Single 8mm
MPL650	35mm	92mm	Deadbolt	Single Split 8mm



Additional Information

Latch Reversal:
Screw at rear of lock case.

Operation:
Lever / Lever or Lever/Pad

Handy Tips:
Split spindle hand reversed by small machine screw on side of case next to spindle on SS versions only.

Additional Extras

Door Handles - Lever/Lever:
MPL171 - B/G/PC/W

Door Handles - Lever/Pad:
MPL453 - G/W/PC

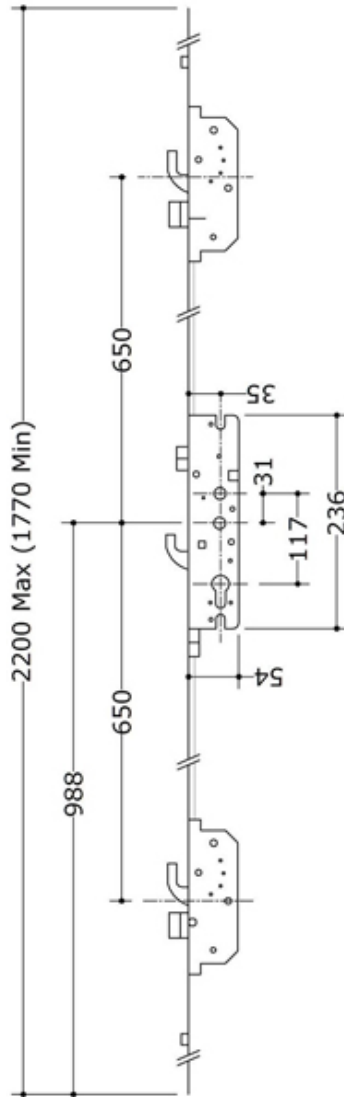
Door Keeps / Strikes:
1 x Latch Keep - MPL144
1 x Deadbolt Keeps (Pair) - MPL476



Millenco

3 Hook 2 Deadbolt

Part No	Backset	Centres/PZ	Faceplate	Spindle
MPL102	35mm	117mm / 85mm	16mm Flat	Double (8mm)



Additional Information

Latch Reversal:
Remove screw in latch.

Operation:
Lever / Lever or Lever/Pad

Handy Tips:
Only use 40mm euro screw! Longer screw stops lock from operating.

Additional Extras

Door Handles - Lever/Lever:
MPL501 - W/G

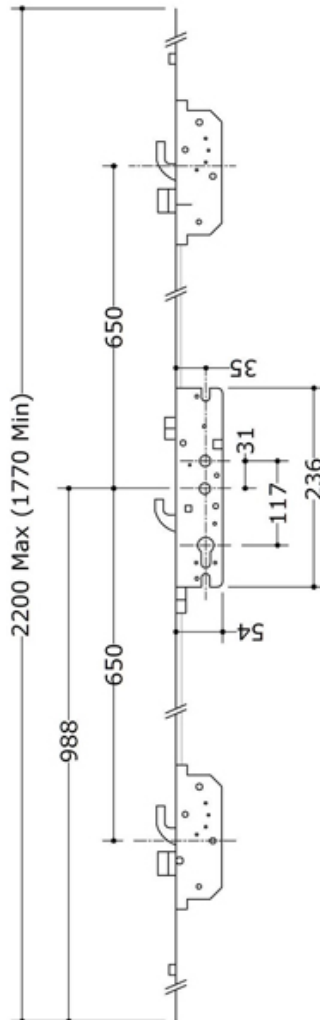
Door Handles - Lever/Pad:
Obsolete

Door Keeps / Strikes:

Millenco

3 Hook 2 Deadbolt 2 Roller

Part No	Backset	Centres/PZ	Faceplate	Spindle
MPL651	35mm	117mm / 85mm	16mm Flat	Double (8mm)



Additional Information

Latch Reversal:
Remove screw in latch.

Operation:
Lever / Lever or Lever/Pad

Handy Tips:
Only use 40mm euro screw! Longer screw stops lock from operating.

Additional Extras

Door Handles - Lever/Lever:
MPL501 - W/G

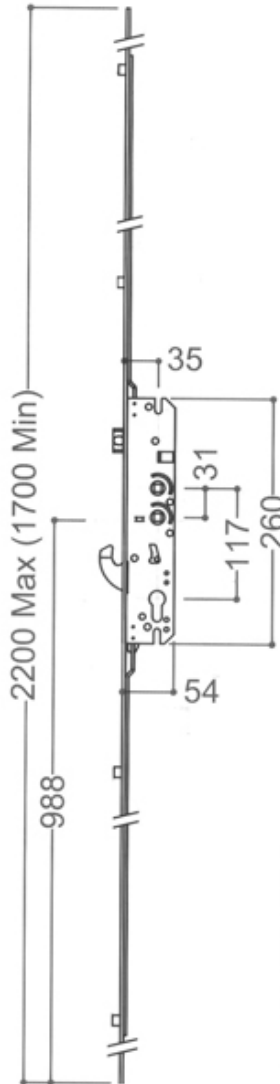
Door Handles - Lever/Pad:
Obsolete

Door Keeps / Strikes:

Millenco

4 Roller

Part No	Backset	Centres/PZ	Faceplate	Spindle
MPL557	35mm	117mm / 85mm	16mm Flat	Double (8mm)



Additional Information

Latch Reversal:
Remove screw in latch.

Operation:
Lever / Lever or Lever/Pad

Handy Tips:
Only use 40mm euro screw! Longer screw stops lock from operating.

Additional Extras

Door Handles - Lever/Lever:
MPL501 - W/G

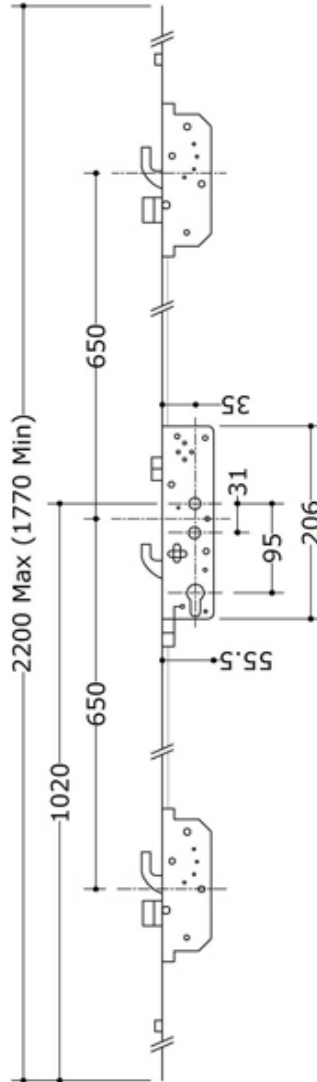
Door Handles - Lever/Pad:
Obsolete

Door Keeps / Strikes:

Millenco Mantis 2

3 Hook 2 Deadbolt

Part No	Backset	Centres/PZ	Faceplate	Spindle
MPL652	35mm	95mm / 65mm	16mm Flat	Double (8mm)



Additional Information

Latch Reversal:
Remove screw in latch.

Operation:
Lever / Lever or Lever/Pad

Handy Tips:

Additional Extras

Door Handles - Lever/Lever:
Special order.

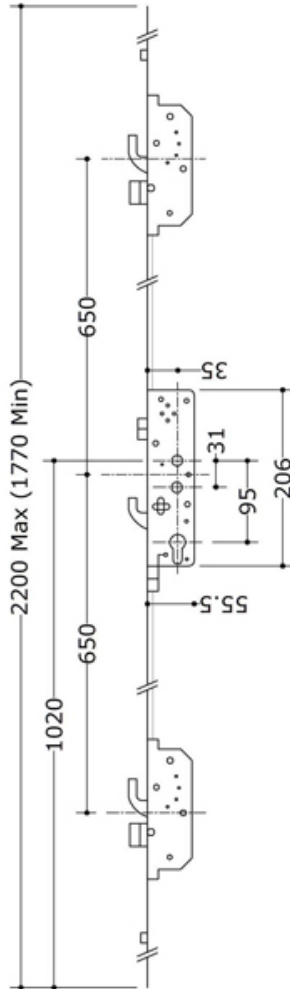
Door Handles - Lever/Pad:

Door Keeps / Strikes:

Millenco Mantis 2

3 Hook 2 Deadbolt 2 Roller

Part No	Backset	Centres/PZ	Faceplate	Spindle
MPL653	35mm	95mm / 65mm	16mm Flat	Double (8mm)



Additional Information

Latch Reversal:
Remove allen key in side of latch / case.

Operation:
Lever / Lever or Lever/Pad

Handy Tips:
Has serrated teeth for shootbolts.

Additional Extras

Door Handles - Lever/Lever:
Special order.

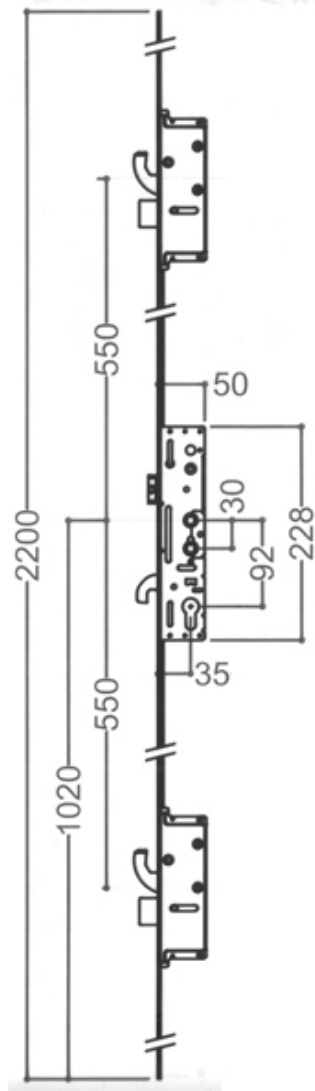
Door Handles - Lever/Pad:

Door Keeps / Strikes:

Millenco Mantis 3

3 Hook 2 Deadbolt

Part No	Backset	Centres/PZ	Faceplate	Spindle
MPL654	35mm	92mm/ 62mm	16mm Flat	Double (8mm)



Additional Information

Latch Reversal:
Remove screw in latch.

Operation:
Lever / Lever or Lever/Pad

Handy Tips:

Additional Extras

Door Handles - Lever/Lever:
MPL178 - G/PC/W/B

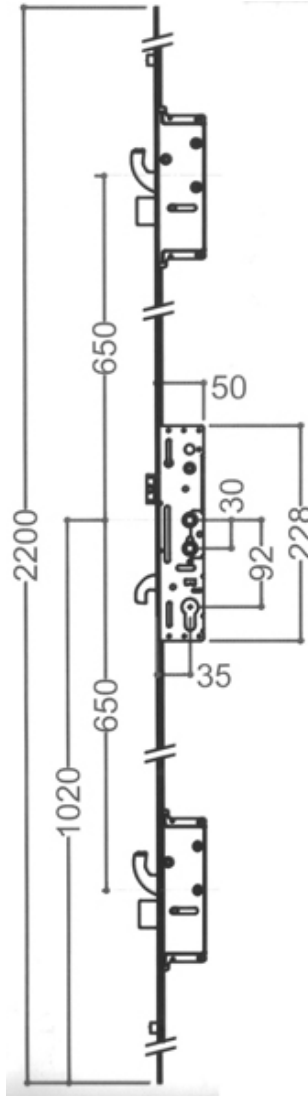
Door Handles - Lever/Pad:
MPL454 - W/G/PC

Door Keeps / Strikes:

Millenco Mantis 3

3 Hook 2 Deadbolt 2 Roller

Part No	Backset	Centres/PZ	Faceplate	Spindle
MP655	35mm	92mm/ 62mm	16mm Flat	Double (8mm)



Additional Information

Latch Reversal:
Remove screw in latch.

Operation:
Lever / Lever or Lever/Pad

Handy Tips:
Has serrated teeth for shootbolts.

Additional Extras

Door Handles - Lever/Lever:
MPL178 - G/PC/W/B

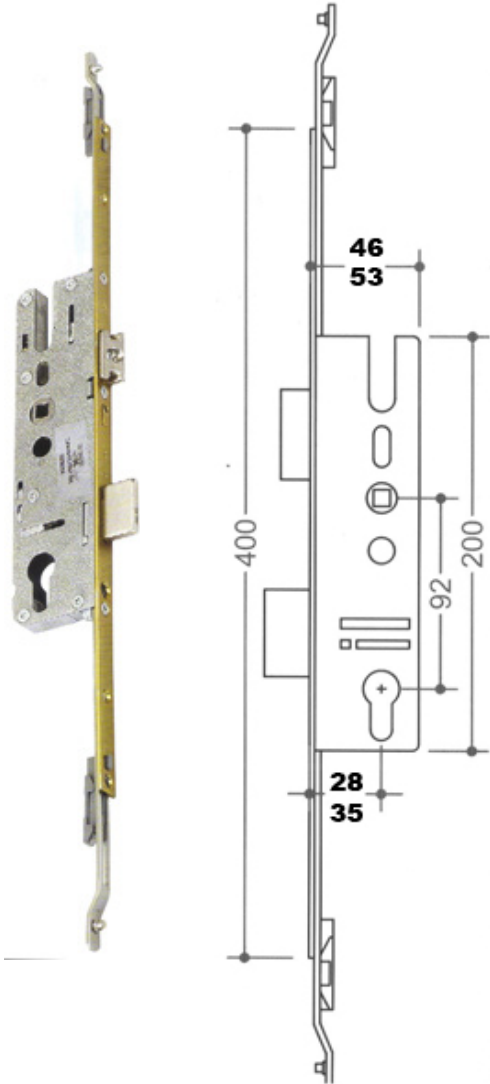
Door Handles - Lever/Pad:
MPL454 - W/G/PC

Door Keeps / Strikes:

Roto

Centre Section (New)

Part No	Backset	Centres/PZ	Faceplate	Spindle
This product is now obsolete. Please contact sales who will be able to suggest the closest replacement.				



Additional Information

Latch Reversal:
Remove screw in latch.

Operation:
Lever / Lever or Lever/Pad

Handy Tips:

Additional Extras

Door Handles - Lever/Lever:
MPLxxx

Door Handles - Lever/Pad:
MPLxxx

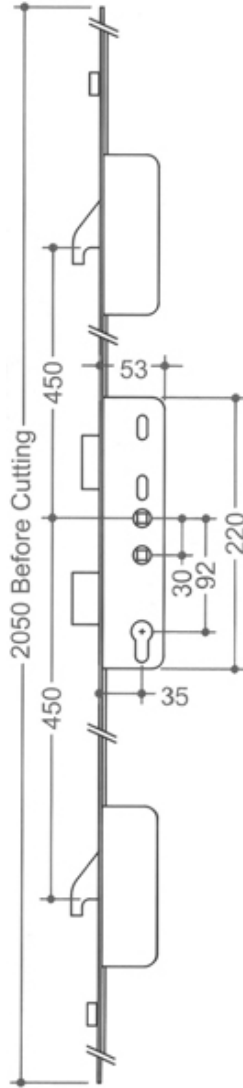
Door Keeps / Strikes:
1 x Latch Keep - MPL144
x Deadbolt Keeps (Pair) - MPL476
x Hook Keeps (Pair) - MPL476
x Roller Keep - MPL148



Roto

2 Hook 2 Sliders

Part No	Backset	Centres/PZ	Faceplate	Spindle
This product is now obsolete. Please contact sales who will be able to suggest the closest replacement.				



Additional Information

Latch Reversal:
Remove screw in latch.

Operation:
Lever / Lever or Lever/Pad

Handy Tips:

Additional Extras

Door Handles - Lever/Lever:
MPLxxx

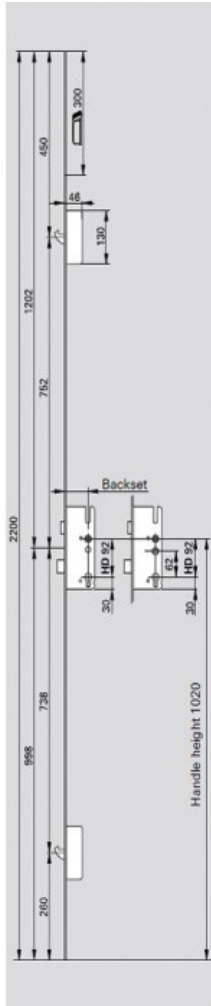
Door Handles - Lever/Pad:
MPLxxx

Door Keeps / Strikes:
1 x Latch Keep - MPL144
x Deadbolt Keeps (Pair) - MPL476
x Hook Keeps (Pair) - MPL476
x Roller Keep - MPL148

Roto

2 Hook

Part No	Backset	Centres/PZ	Faceplate	Spindle
MPL788	35mm	92mm/ 62mm	16mm Flat	Double (8mm)



Additional Information

Latch Reversal:
Remove screw in latch.

Operation:
Lever / Lever or Lever/Pad

Handy Tips:

Additional Extras

Door Handles - Lever/Lever:
MPLxxx

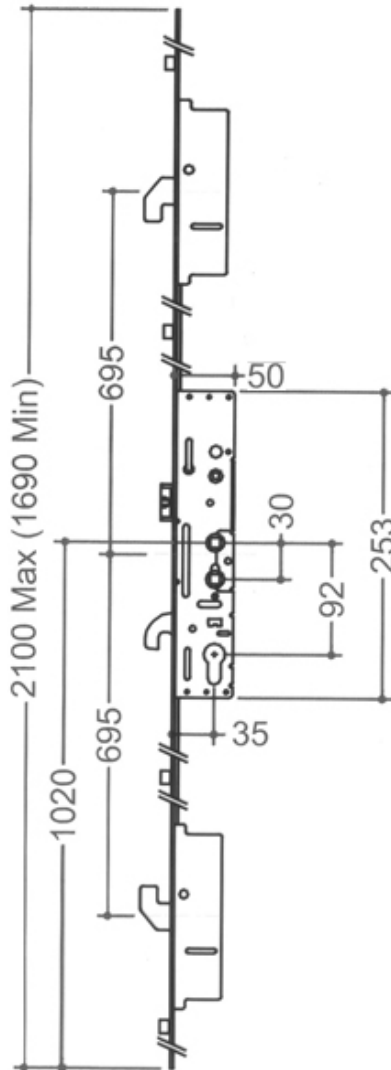
Door Handles - Lever/Pad:
MPLxxx

Door Keeps / Strikes:
1 x Latch Keep - MPL144
x Deadbolt Keeps (Pair) - MPL476
x Hook Keeps (Pair) - MPL476
x Roller Keep - MPL148

Safeware

3 Hook 4 Roller

Part No	Backset	Centres/PZ	Faceplate	Spindle
MPL477	35mm	92mm/ 62mm	16mm Flat	Double (8mm)



Additional Information

Latch Reversal:
Remove screw in latch.

Operation:
Lever / Lever or Lever/Pad

Handy Tips:

Additional Extras

Door Handles - Lever/Lever:
MPL178 - G/PC/W/B

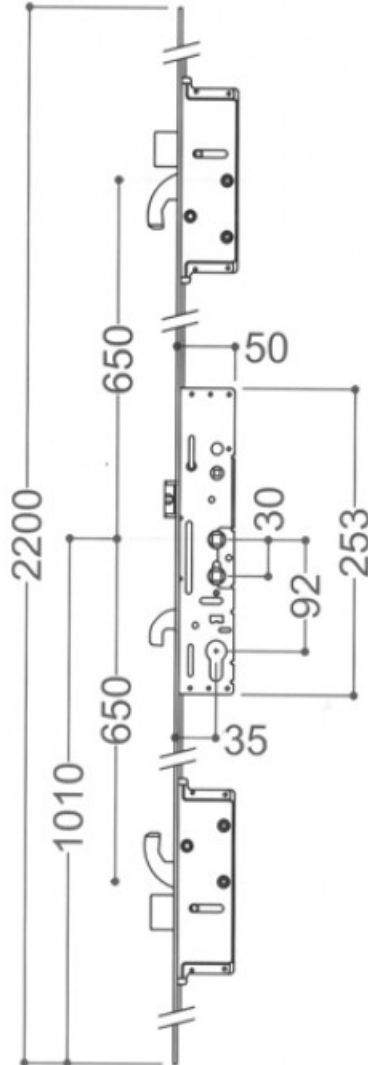
Door Handles - Lever/Pad:
MPL454 - W/G/PC

Door Keeps / Strikes:

Safeware

3 Hook 2 Deadbolt

Part No	Backset	Centres/PZ	Faceplate	Spindle
MPL656	35mm	92mm/ 62mm	16mm Flat	Double (8mm)



Additional Information

Latch Reversal:
Remove screw in latch.

Operation:
Lever / Lever or Lever/Pad

Handy Tips:

Additional Extras

Door Handles - Lever/Lever:
MPL178 - G/PC/W/B

Door Handles - Lever/Pad:
MPL454 - W/G/PC

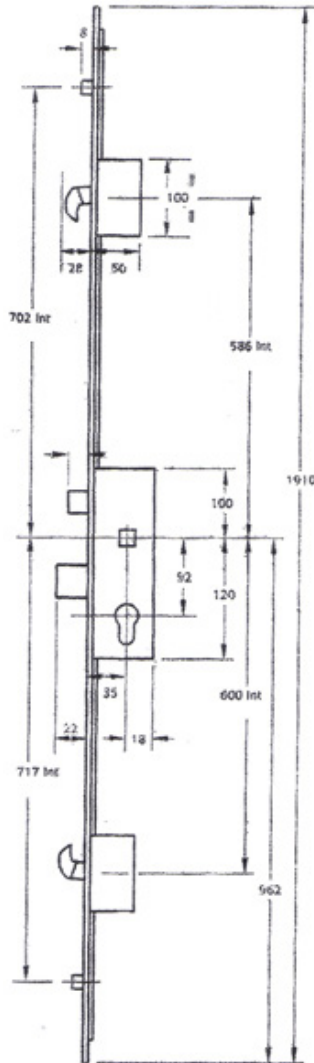
Door Keeps / Strikes:

Cego Surelock (New)

2 Hook 2 Roller



Part No	Backset	Centres/PZ	Faceplate	Spindle
This product is shown for reference only as it is now obsolete.				
Only the centre case can be replaced on these locks - please use MPL108.				



Additional Information

Latch Reversal:
Remove 2 screws in latch.

Operation:
Lever / Lever or Lever/Pad

Handy Tips:
Was available in 16mm and 20mm versions.

Additional Extras

Door Handles - Lever/Lever:
MPL171 - B/G/PC/W

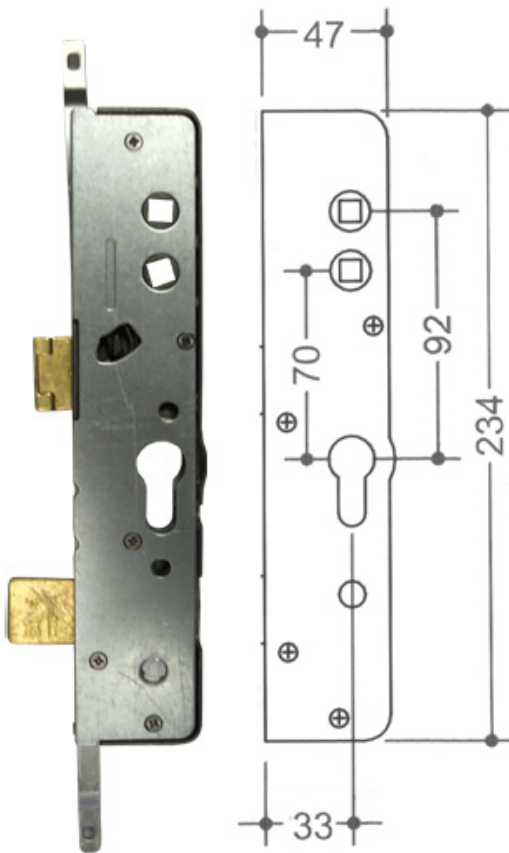
Door Handles - Lever/Pad:
MPL453 - G/W/PC

Door Keeps / Strikes:

Cego Surelock (Old)

Centre Case

Part No	Backset	Centres/PZ	Deadbolt / Hook	Spindle	Hand
MPL600-LH	35mm	92mm / 70mm	Deadbolt	Double 8mm	LH
MPL600-RH	35mm	92mm / 70mm	Deadbolt	Double 8mm	RH



Additional Information

Latch Reversal:
Must be bought handed.

Operation:
Lever / Lever or Lever/Pad

Handy Tips:
Full mechanism no longer available.

Additional Extras

Door Handles - Lever/Lever:
Obsolete

Door Handles - Lever/Pad:
Obsolete

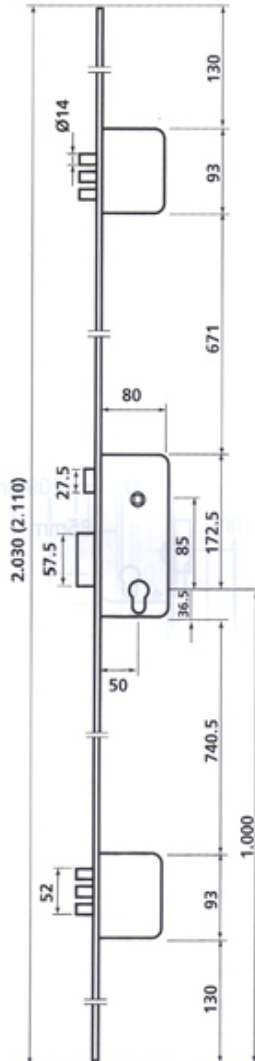
Door Keeps / Strikes:



UCEM

3 Deadbolt

Part No	Backset	Centres/PZ	Faceplate	Spindle
MPL492	50mm	85mm	20mm U Rail	Single (8mm)



Additional Information

Latch Reversal:
Latch in rear of case.

Operation:
Key Wind

Handy Tips:
Few left in the country - UCEM have now stopped trading.

Additional Extras

Door Handles - Lever/Lever:
MPL176 - G/BC/SC

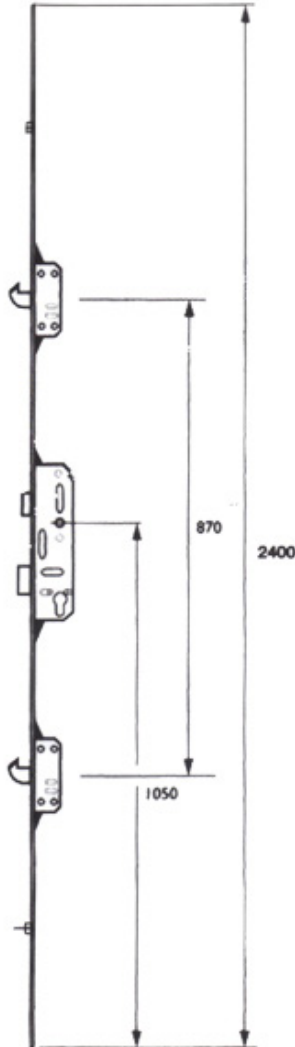
Door Handles - Lever/Pad:
N/A

Door Keeps / Strikes:

Vitawin

2 Hook 2 Roller

Part No	Backset	Centres/PZ	Faceplate	Spindle
MPL206	35mm	92mm	16mm Flat	Single (8mm)



Additional Information

Latch Reversal:
Pull latch out and twist round.

Operation:
Lever / Lever or Lever/Pad

Handy Tips:
Same hook positions as Maco 2 Hook 2 Roller.

Additional Extras

Door Handles - Lever/Lever:
MPL171 - B/G/PC/W

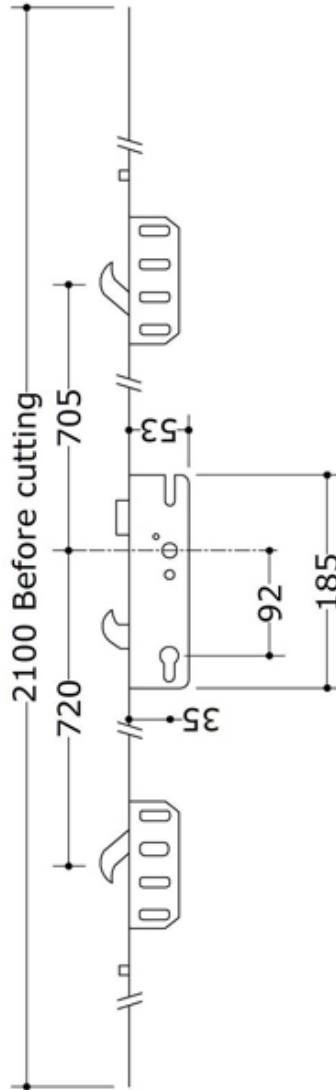
Door Handles - Lever/Pad:

Door Keeps / Strikes:
1 x Latch Keep - MPL144
1 x Deadbolt Keeps (Pair) - MPL476
2 x Hook Keeps (Pair) - MPL476
2 x Roller Keep - MPL148

Winkhaus Scorpion

3 Hook 2 Roller

Part No	Backset	Centres/PZ	Faceplate	Spindle
MPL118	35mm	92mm	1 6mm Flat	Split Single (8mm)



Additional Information

Latch Reversal:
Screw on rear of case.

Operation:
Lever / Lever or Lever/Pad

Handy Tips:
** CHECK HOOK POSITIONS ON DIAGRAM**

Additional Extras

Door Handles - Lever/Lever:
MPL171 - B/G/PC/W

Door Handles - Lever/Pad:
MPL453 - G/W/PC

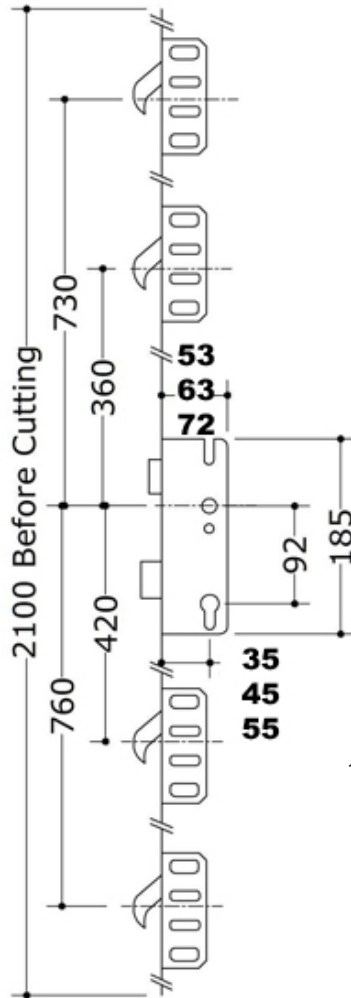
Door Keeps / Strikes:
1 x Latch Keep - MPL144
2 x Hook Keeps (Pair) - MPL476
2 x Roller Keep - MPL148

Winkhaus Cobra

4 Hook



Part No	Backset	Centres/PZ	Faceplate	Spindle
MPL657 (SO)	30mm	92mm	16mm Flat	Split Single (8mm)
MPL117	35mm	92mm	16mm Flat	Split Single (8mm)
MPL658 (SO)	45mm	92mm	16mm Flat	Split Single (8mm)
MPL659 (SO)	55mm	92mm	16mm Flat	Split Single (8mm)



Additional Information

Latch Reversal:
Screw on rear of case.

Operation:
Lever / Lever or Lever/Pad

Handy Tips:

Additional Extras

Door Handles - Lever/Lever:
MPL171 - B/G/PC/W

Door Handles - Lever/Pad:
MPL453 - G/W/PC

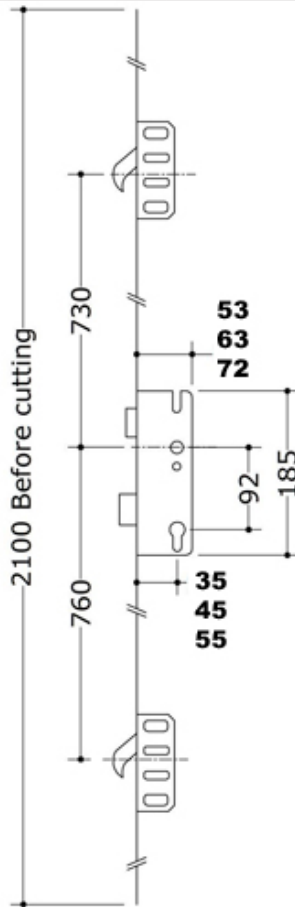
Door Keeps / Strikes:
1 x Latch Keep - MPL144
1 x Deadbolt Keeps (Pair) - MPL476
2 x Hook Keeps (Pair) - MPL476

Winkhaus Cobra

2 Hook



Part No	Backset	Centres/PZ	Faceplate	Spindle
MPL115	35mm	92mm	16mm Flat	Split Single (8mm)
MPL660	35mm	92mm	20mm Flat	Split Single (8mm)
MPL116	45mm	92mm	16mm Flat	Split Single (8mm)
MPL661	45mm	92mm	20mm Flat	Split Single (8mm)
MPL164	45mm	92mm	20mm Radius	Split Single (8mm)
MPL662	55mm	92mm	16mm Flat	Split Single (8mm)
MPL165	55mm	92mm	20mm Radius	Split Single (8mm)



Additional Information

Latch Reversal:
Screw on rear of case.

Operation:
Lever / Lever or Lever/Pad

Handy Tips:

Additional Extras

Door Handles - Lever/Lever:
MPL171 - B/G/PC/W

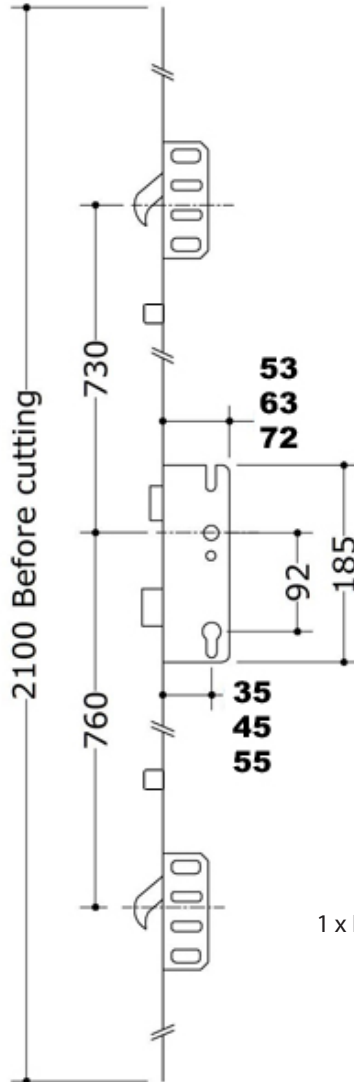
Door Handles - Lever/Pad:
MPL453 - G/W/PC

Door Keeps / Strikes:
1 x Latch Keep - MPL144
1 x Deadbolt Keeps (Pair) - MPL476
1 x Hook Keeps (Pair) - MPL476

Winkhaus Cobra

2 Hook 2 Roller

Part No	Backset	Centres/PZ	Faceplate	Spindle
MPL663	35mm	92mm	16mm Flat	Split Single (8mm)



Additional Information

Latch Reversal:
Screw on rear of case.

Operation:
Lever / Lever or Lever/Pad

Handy Tips:

Additional Extras

Door Handles - Lever/Lever:
MPL171 - B/G/PC/W

Door Handles - Lever/Pad:
MPL453 - G/W/PC

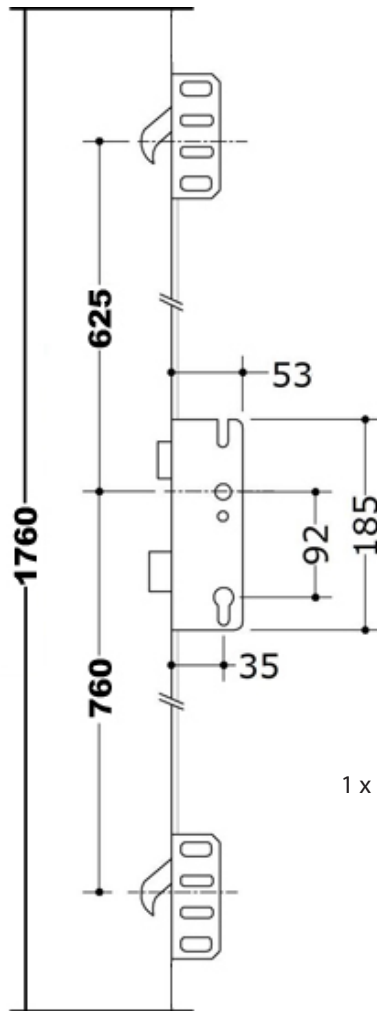
Door Keeps / Strikes:
1 x Latch Keep - MPL144
1 x Deadbolt Keeps (Pair) - MPL476
1 x Hook Keeps (Pair) - MPL476
2 x Roller Keep - MPL148

Winkhaus

2 Hook (Short)



Part No	Backset	Centres/PZ	Faceplate	Spindle
MPL664	35mm	92mm	1 6mm Flat	Split Single (8mm)
MPL665	45mm	92mm	1 6mm Flat	Split Single (8mm)



Additional Information

Latch Reversal:
Screw on rear of case.

Operation:
Lever / Lever or Lever/Pad

Handy Tips:

Additional Extras

Door Handles - Lever/Lever:
MPL171 - B/G/PC/W

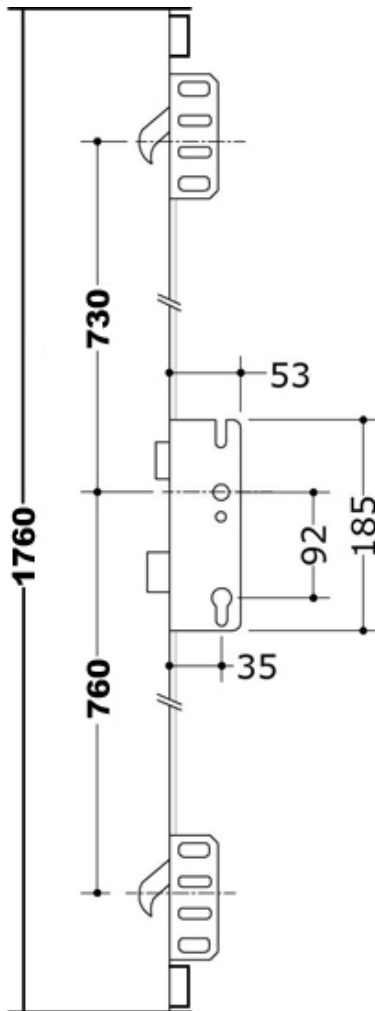
Door Handles - Lever/Pad:
MPL453 - G/W/PC

Door Keeps / Strikes:
1 x Latch Keep - MPL144
1 x Deadbolt Keeps (Pair) - MPL476
1 x Hook Keeps (Pair) - MPL476

Winkhaus

2 Hook (French Door)

Part No	Backset	Centres/PZ	Faceplate	Spindle
MPL448	35mm	92mm	16mm Flat	Single (8mm)



Additional Information

Latch Reversal:
Screw on rear of case.

Operation:
Lever / Lever

Handy Tips:
Has serrations for shootbolts top and bottom.

Additional Extras

Door Handles - Lever/Lever:
MPL171 - B/G/PC/W

Door Handles - Lever/Pad:
MPL453 - G/W/PC

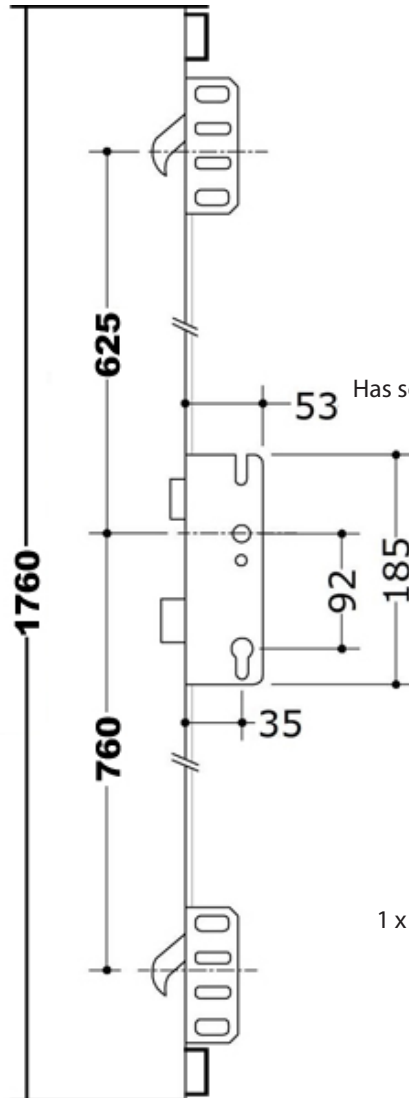
Door Keeps / Strikes:
1 x Latch Keep - MPL144
1 x Deadbolt Keeps (Pair) - MPL476
1 x Hook Keeps (Pair) - MPL476



Winkhaus

2 Hook (French Door - Short)

Part No	Backset	Centres/PZ	Faceplate	Spindle
MPL666	35mm	92mm	16mm Flat	Single (8mm)



Additional Information

Latch Reversal:
Screw on rear of case.

Operation:
Lever / Lever

Handy Tips:
Has serrations for shootbolts top and bottom.

Additional Extras

Door Handles - Lever/Lever:
MPL171 - B/G/PC/W

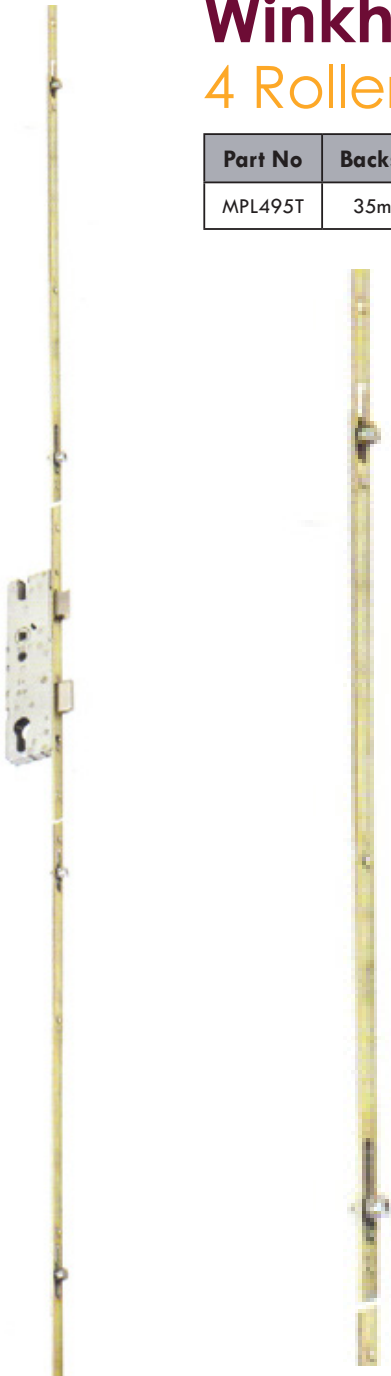
Door Handles - Lever/Pad:
MPL453 - G/W/PC

Door Keeps / Strikes:
1 x Latch Keep - MPL144
1 x Deadbolt Keeps (Pair) - MPL476
1 x Hook Keeps (Pair) - MPL476

Winkhaus

4 Roller

Part No	Backset	Centres/PZ	Faceplate	Spindle
MPL495T	35mm	92mm	16mm Flat	Split Single (8mm)



Additional Information

Latch Reversal:
Screw on rear of case.

Operation:
Lever / Lever or Lever/Pad

Handy Tips:
Has serrations for shootbolts top and bottom.

Additional Extras

Door Handles - Lever/Lever:
MPL171 - B/G/PC/W

Door Handles - Lever/Pad:
MPL453 - G/W/PC

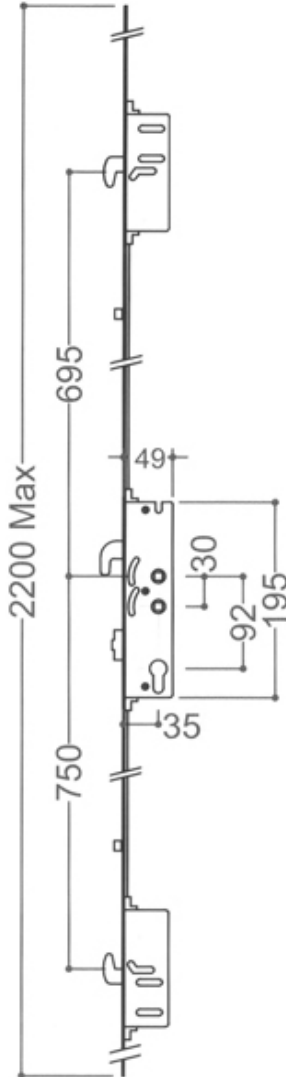
Door Keeps / Strikes:
1 x Latch Keep - MPL144
1 x Deadbolt Keeps (Pair) - MPL476
4 x Roller Keep - MPL148



Yale

3 Hook

Part No	Backset	Centres/PZ	Faceplate	Spindle
MPL533	35mm	92mm/ 62mm	16mm Flat	Double (8mm)



Additional Information

Latch Reversal:
Remove screw in latch.

Operation:
Lever / Lever or Lever/Pad

Handy Tips:

Additional Extras

Door Handles - Lever/Lever:
MPL531 - G/W

Door Handles - Lever/Pad:
MPL456 - G/W/S

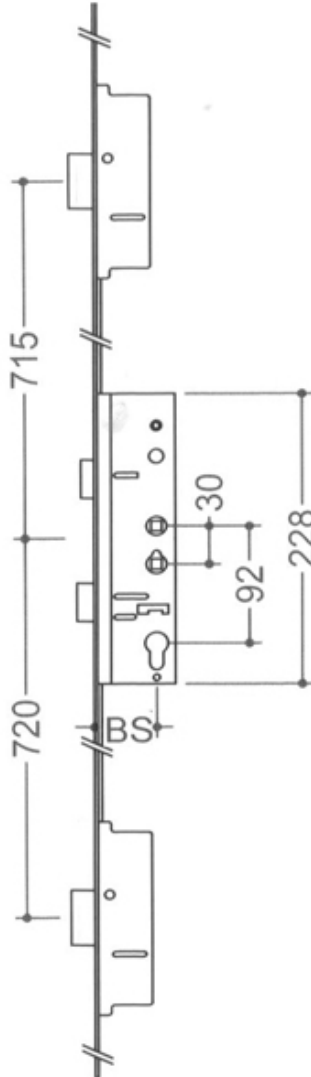
Door Keeps / Strikes:
1 x Latch Keep - MPL144
2 x Hook Keeps (Pair) - MPL476

Yale

G712 - 2 Deadbolts / 2 Hooks



Part No	Backset	Centres/PZ	Faceplate	Spindle
<p>This product is shown for reference only as it is now obsolete. However we do offer a direct replacement that fits straight in its place with minor modifications: 35mm - MPL640 and 45mm - MPL641</p>				



Additional Information

Latch Reversal:
Remove screw in latch.

Operation:
Lever / Lever or Lever/Pad

Handy Tips:
Was manufactured with deadbolts or hooks.

Additional Extras

Door Handles - Lever/Lever:
MPL531 - G/W

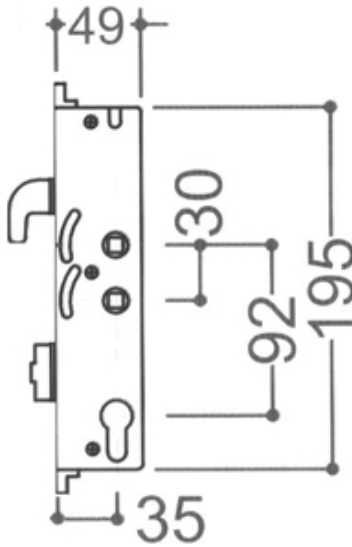
Door Handles - Lever/Pad:
MPL456 - G/W/S

Door Keeps / Strikes:

Yale

G2000 Centre Case

Part No	Backset	Centres/PZ	Deadbolt / Hook	Spindle
<p>This product is shown for reference only as it is now obsolete (cannot be bought seperately). Full mechanism must be purchased - see MPL533.</p>				



Additional Information

Latch Reversal:
Remove screw in latch.

Operation:
Lever / Lever or Lever/Pad

Handy Tips:

Additional Extras

Door Handles - Lever/Lever:
MPL531 - G/W

Door Handles - Lever/Pad:
MPL456 - G/W/S

Door Keeps / Strikes:

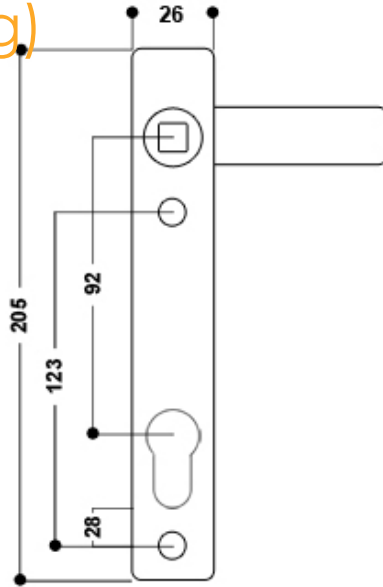
uPVC Door Handle No 1

MPL171 (Unsprung)



Available Finishes:
White, Gold, Polished
Chrome, Black

Spindle: 8mm
Sprung: No



uPVC Door Handle No 2

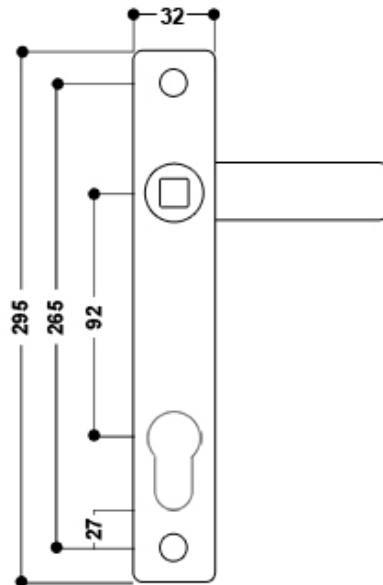
MPL172



Often useful as
a large repair
handle to cover
existing holes.

Available Finishes:
Polished Chrome,
Gold, White

Spindle: 8mm
Sprung: Yes



uPVC Door Handle No 3

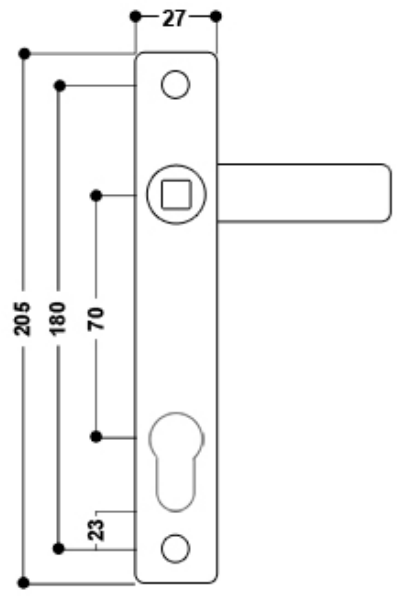
MPL173



To suit Ferco mechanisms.

Available Finishes:
Gold, Silver, White,
Black

Spindle: 7mm
Sprung: No



uPVC Door Handle No 4

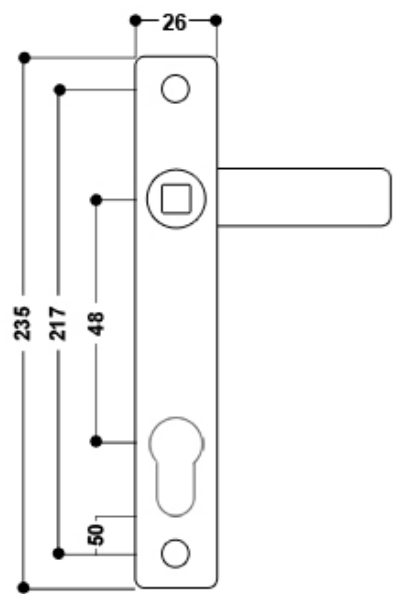
MPL174



Can also be used
on aluminium
doors.

Available Finishes:
Gold, White

Spindle: 8mm
Sprung: Yes



uPVC Door Handle No 5

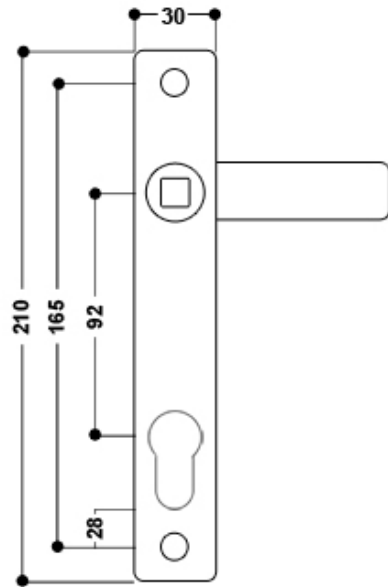
MPL531



Avocet / WMS
Door Handle

Available Finishes:
White

Spindle: 8mm
Sprung: No



uPVC Door Handle No 6

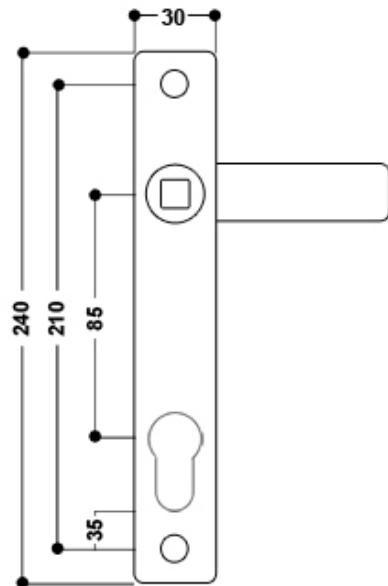
Now obsolete



Suits UCEM
mechanism.

Available Finishes
Gold, Brushed
Chrome, Satin Chron

Spindle: 8mm
Sprung: Yes



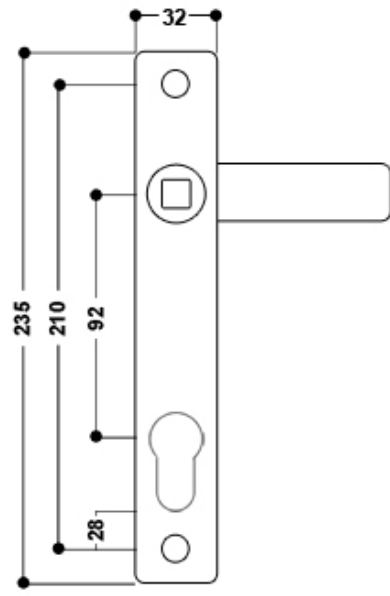
uPVC Door Handle No 7

MPL445



Available Finishes:
Gold

Spindle: 8mm
Sprung: Yes



uPVC Door Handle No 8

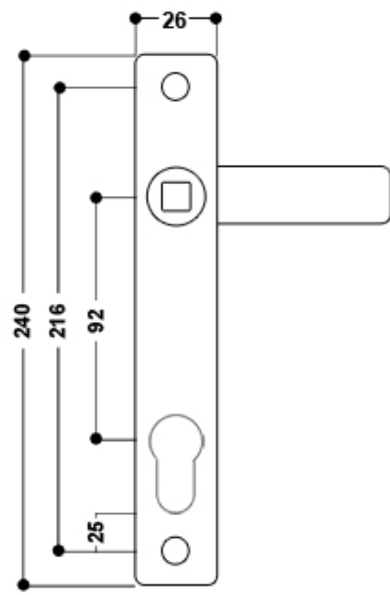
MPL178



Usually used
on Lockmaster
mechanisms.

Available Finishes:
Black, Polished
Chrome, Gold, White

Spindle: 8mm
Sprung: Yes



uPVC Door Handle No 9

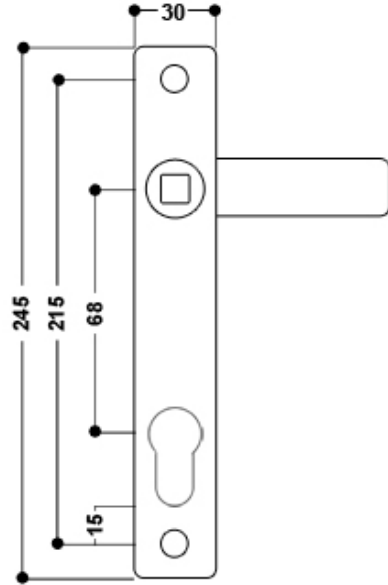
MPL179



Suits Fullex mechanisms.

Available Finishes:
Gold, Silver, White

Spindle: 8mm
Sprung: Yes



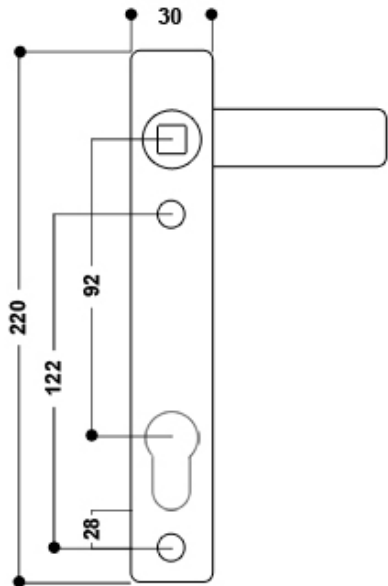
uPVC Door Handle No 10

MPL180 (Sprung)



Available Finishes:
Gold, White, Polisher
Chrome

Spindle: 8mm
Sprung: No



uPVC Door Handle No 13

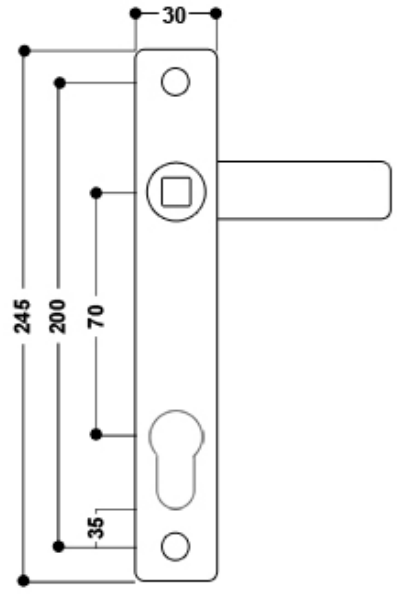
MPL183



To suit Ferco mechanisms (long backplate).

Available Finishes:
Black, Gold, Silver,
White

Spindle: 7mm
Sprung: No



uPVC Door Handle No 14

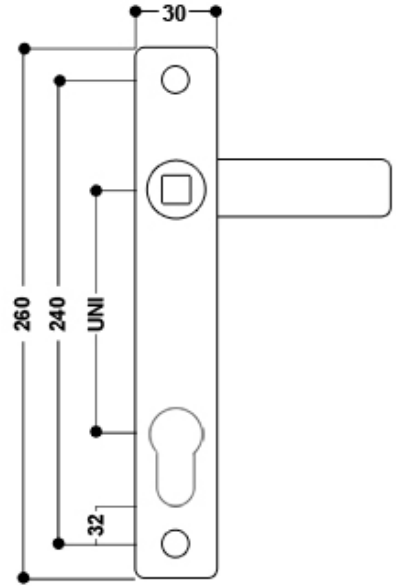
MPL584



Flexi-Handle Centres can be adjusted from 60mm to 92mm - ideal for the van!

Available Finishes:
Gold, White, Polished
Chrome, Brushed
Chrome.

Spindle: 8mm
Sprung: Yes



uPVC Door Handle No 15

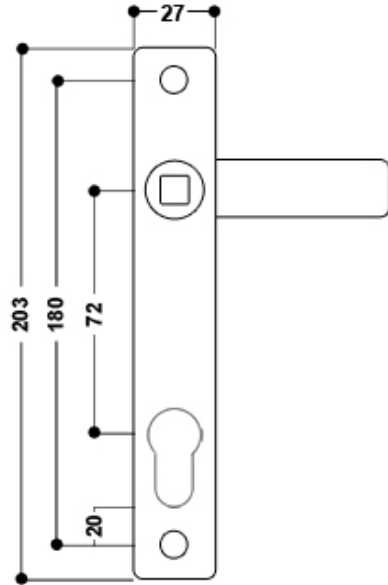
MPL185



Suits the old style Fuhr - do not confuse with the more common Ferco or Fullex

Available Finishes:
Gold, White

Spindle: 8mm
Sprung: No



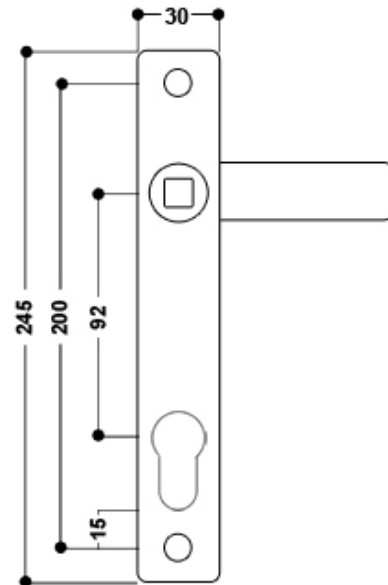
uPVC Door Handle No 16

MPL357



Available Finishes:
Gold, Silver, White,
Black

Spindle: 8mm
Sprung: Yes



uPVC Door Handle No 17

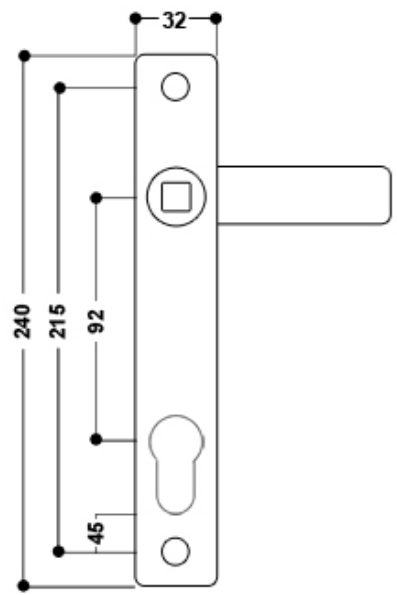
MPL447



Yale High Security Handle.

Available Finishes:
Black, Chrome, Gold, White

Spindle: 7mm
Sprung: No



uPVC Door Handle No 18

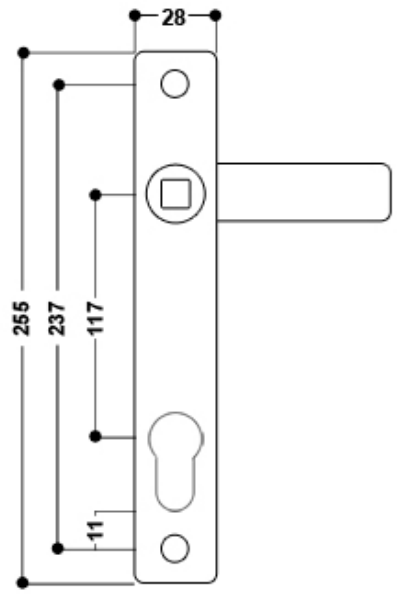
MPL501



Suits the Millenco mechanism.

Available Finishes:
Gold, White

Spindle: 8mm
Sprung: Yes



uPVC Door Handle No 19

MPL520

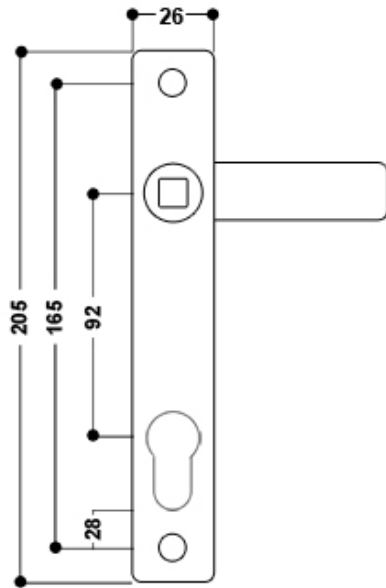


Commonly used with Roto locks.

Available Finishes:
Gold, Silver

Spindle: 8mm
Sprung: No

Limited Stock



uPVC Door Handle No 20

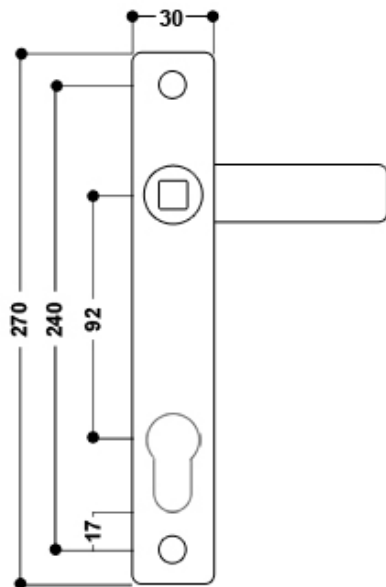
MPL531



Commonly used to suit Yale locks.

Available Finishes:
Gold, White

Spindle: 8mm
Sprung: Yes



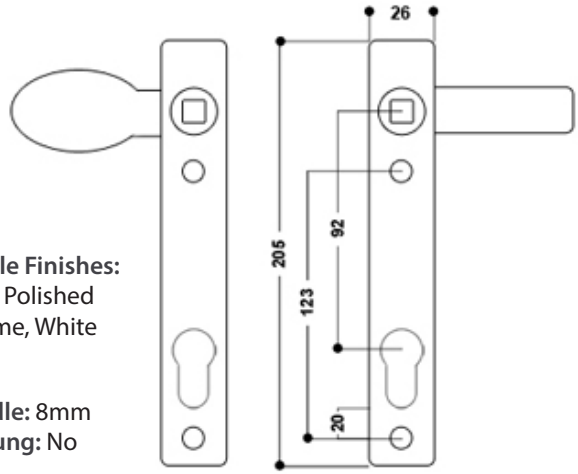
uPVC Door Handle No 1 L/P

MPL453



Available Finishes:
Gold, Polished
Chrome, White

Spindle: 8mm
Sprung: No



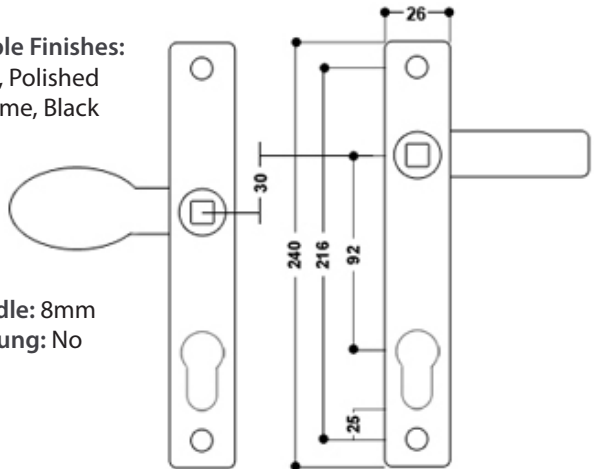
uPVC Door Handle No 8 L/P

MPL454



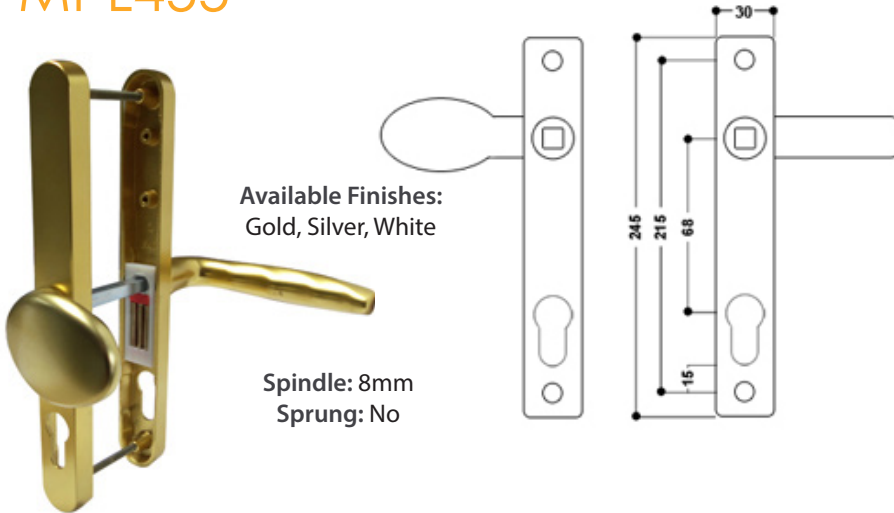
Available Finishes:
Gold, Polished
Chrome, Black

Spindle: 8mm
Sprung: No



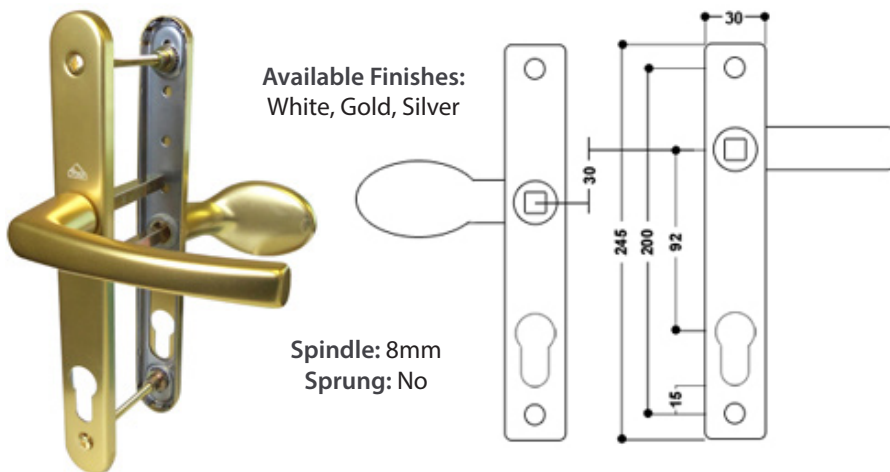
uPVC Door Handle No 9 L/P

MPL455



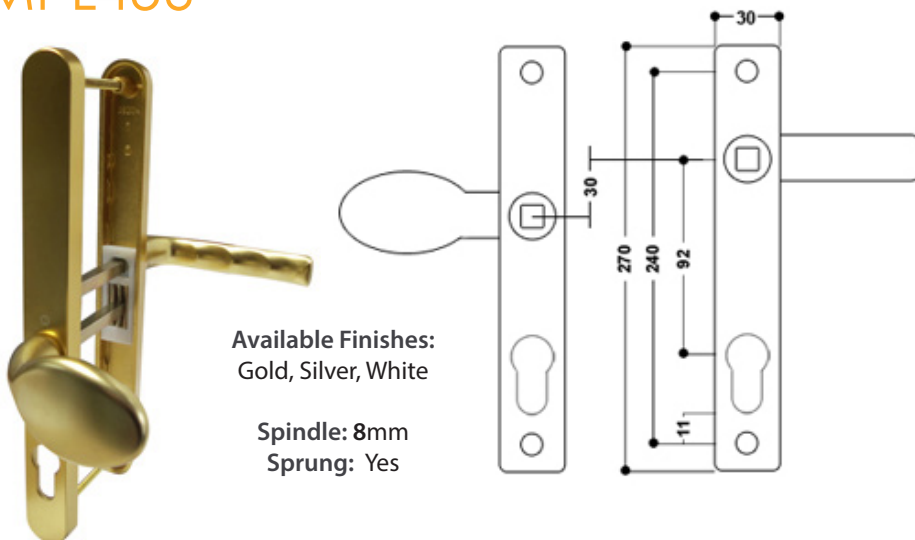
uPVC Door Handle No 16 L/P

MPL524



uPVC Door Handle No 20 L/P

MPL456



Available Finishes:
Gold, Silver, White

Spindle: 8mm
Sprung: Yes

Mila Evolution High Security Handle

MPL667 220mm Backplate

MPL668 240mm Backplate

The Evolution high security door handle, manufactured from cast stainless steel, features an integrated cylinder guard and innovative anti-plug & anti-drill disc.

Reversible for left or right hand doors, the stylish Evolution high security door handle is available in stainless steel and gold stainless steel. The lever has been ergonomically designed for optimum comfort and ease of operation, including for the elderly and infirm, when in use.

Guarantees & Accreditations

Mechanical Guarantee - 10 years

Secured by Design - Yes

Labour Guarantee - 2 years

Surface Finish Guarantee (PVD) - 10 years

Available Finishes

Polished Gold PVD, Polished Stainless Steel PVD, Satin Stainless Steel

8mm Spindle - Sprung

The handle offers protection against:

Handle Snapping

Cast steel design and enhanced fixings, make it practically impossible to jemmy the handle backplate from the door leaf

Cylinder Snapping

An integrated cylinder guard forms a formidable barrier around the cylinder, protecting it from attack

Cylinder De-Plugging

An integral anti-plug disc secures directly over the cylinder face, shielding it from attack

Cylinder Drilling

The innovative anti-drill disc spins if attacked with a drill, preventing the drill bit from penetrating the cylinder

The Evolution High Security Door Handle has been independently tested at the UKAS accredited Mila Test Centre and meets the performance requirements of PAS 024 and Secured By Design. An SBD logo engraved onto the backplate gives peace-of-mind to consumers whilst serving as a deterrent to would be intruders.



Suits most 92mm locks

220mm Backplate
122mm Screw Centres
MPL667

Suits Lockmaster locks

240mm Backplate
216mm Screw Centres
MPL668



MPL Bell Lock Puller

No mess, no excessive drilling, no counting pins, no drilling too far - and most of all, a professional tool to use in front of your customer that is guaranteed to work.

The most common use of the Lock Puller is in gaining access to euro and oval profile cylinders in MultiPoint Locks (on uPVC and composite doors). Without causing any damage to the mechanism, the cylinder can be completely removed or if you prefer using the cover plates just the plug pulled.

For its compact and robust design and its simplicity and ease of use, the "BELL" is considered one of the best plug-pulling devices among international specialists.

The Bell is made from hardened steel to allow for several years of use. The pulling mechanism has a very fine, hardened M12 thread for smooth working without having to exert any greater strength. We have a constant stock of spare parts such as the puller screws, should you need any more.

MPL Bell Lock Puller

We offer a number of different packages, including parts and spares that can be bought seperately:

Part No	Description
MPL493	Complete Set Lock Puller, Cover Plates, Rubber Protectors, Magnetic MUL-T-Tool, Screw Driving Adaptor, Ratchet, 5 x 4.2mm Premium Pull Screws, 5 x 4.8mm Premium Pull Screws all supplied in protective carry case.
MPL669	Complete Set (without carry case) Lock Puller, Cover Plates, Rubber Protectors, Magnetic MUL-T-Tool, Screw Driving Adaptor, Ratchet, 5 x 4.2mm Premium Pull Screws, 5 x 4.8mm Premium Pull Screws.
MPL670	Lock Puller and Ratchet Only Lock Puller, Cover Plates, Rubber Protectors, Ratchet
MPL671	Lock Puller Only Lock Puller, Cover Plates, Rubber Protectors

Pull Screws

Screw Size	Single	x10	x50	x100
4.2mm	MPL739	MPL672	MPL697	MPL460
4.8mm	MPL740	MPL673	MPL698	MPL466
5.4mm	MPL741	MPL674	MPL699	MPL675

What size screw is best to use?

We always recommend for standard euro cylinders etc that you start with a 4.2mm screw - this is usually sufficient.

Individual Parts

Part No	Description
MPL701	Screw Driving Adaptor
MPL676	Magnetic MUL-T-Tool
MPL491	Carry Case

For break secure locks and locks with a bigger keyway the 4.8mm is usually more effective, and very rarely the 5.4mm can be used.

call CS Glaziers today on 01244 550148 for sales and support



Air Pump Bag

MPL575

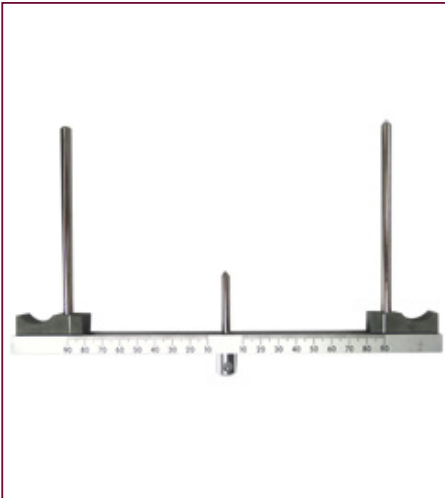
Ideal for use when gaining access to failed uPVC door mechanisms or cars.



Window / Latch Tool

MPL694

A handy tool for sliding in small gaps to retract latches and window mushrooms.



Cylinder Measurer

MPL689

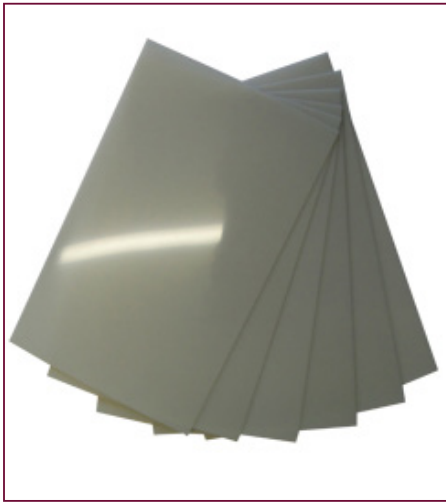
Measure the size of the cylinder without having to remove it from the door.



Glazing Shovel

MPL436

A must have for every uPVC repair engineer.



Mica Cards (Pack of 6)

MPL692

Slip Yale and other latch type locks for NDE.



Screw Driving Adaptor

MPL701

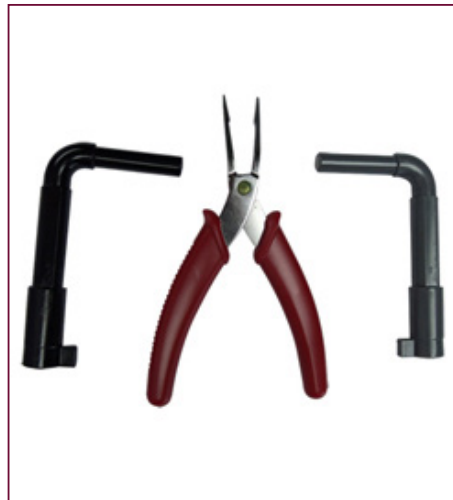
Used in conjunction with the lock puller for quick drilling of screws.



11pc HPC Pick Set

MPL677

A basic pick set for all locksmiths. Includes tension tools.



Euro Tool Set

MPL690

2 magnetic cam turners / MUL-T-TOOLS and broken key extractors.



Lock Cracker

MPL678 - Euro MPL679 - Oval

A snapper tool that can be tightened to snap euros with just a 3mm overhang.



Euro & Oval Snapper Bar

MPL226

High quality standard snapper bar for euro and oval cylinders - a must have tool.



Double Glazing Measurer

MPL142

A handy tool for accurately measuring the thickness of double glazed units.



Carbide Tipped Drill Bit

MPL695 - 6mm

MPL545 - 7mm

MPL680 - 8mm



Plug Spinner

MPL527

Picked a cylinder the wrong way? Use this handy tool to spin it the right way.



MUL-T-TOOL (Short)

MPL742

Quickly test, lock and unlock all mechanisms with this handy tool.



MUL-T-TOOL (Long)

MPL703

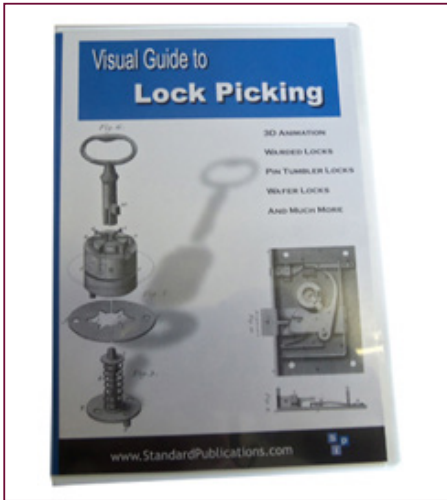
Quickly test, lock and unlock all mechanisms with this handy tool.



Klom Pick Gun

MPL497

Highly rated by many locksmiths one of the best pick guns on the market.



Visual Guide to Picking
MPL482

A useful DVD covering all methods of picking.



E-Z Pickings Book
MPL544

An informative book exposing the secrets of picking.



Tension Keys
MPL681

5G, 6G, 7G, 8G mortice tension keys to aid mortice picking.



Door Spreaders
MPL508

455mm and 755mm door spreader twin pack - ideal for failed uPVC mechanisms.



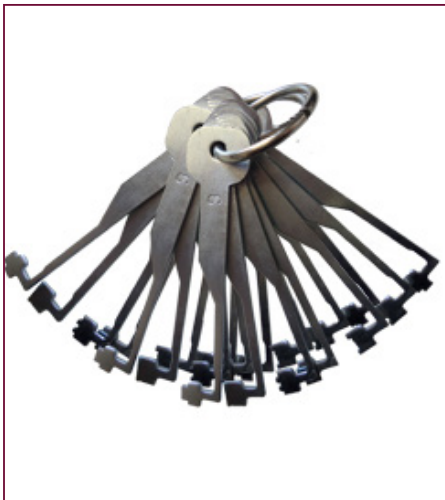
ICL Mortise Drill Point Card
MPL682

Designed for a 4mm bit - drill point card for over 67 BS and none BS mortice locks.



2 Lever Try Out Keys
MPL683

7 common keys to open most common 2 lever locks found today.



3 Lever Try Out Keys
MPL684

Set of 193 lever try out keys designed to open common locks Union, ERA etc



Practice Cylinder
MPL685

Practice your cylinder picking techniques using our training cylinder.



Universal Roller Keep

Universal roller keep to suit most uPVC and composite door profiles.



Flexi Hook / Deadbolt Keeps

MPL476

Pair of hook / deadbolt keeps designed to suit most door profiles.



Fuhr Latch & DB Keep

MPL254LH | MPL254RH

Latch & Deadbolt keep to suit Fuhr mechanisms - right & left hand available.



GU Latch & DB Keep

MPL621LH | MPL621RH

Latch & Deadbolt keep to suit GU mechanisms - right & left hand available.



GU Hook / Deadbolt Keep

MPL601 - Hook MPL170 - Deadbolt

Single hook / deadbolt keep specifically to suit GU hooks and deadbolts.



Latch Keep

MPL144

Latch keep to suit most latch only locks specifically the Ferco mechanisms.



Avocet Full Length Keep

MPL132 - RH

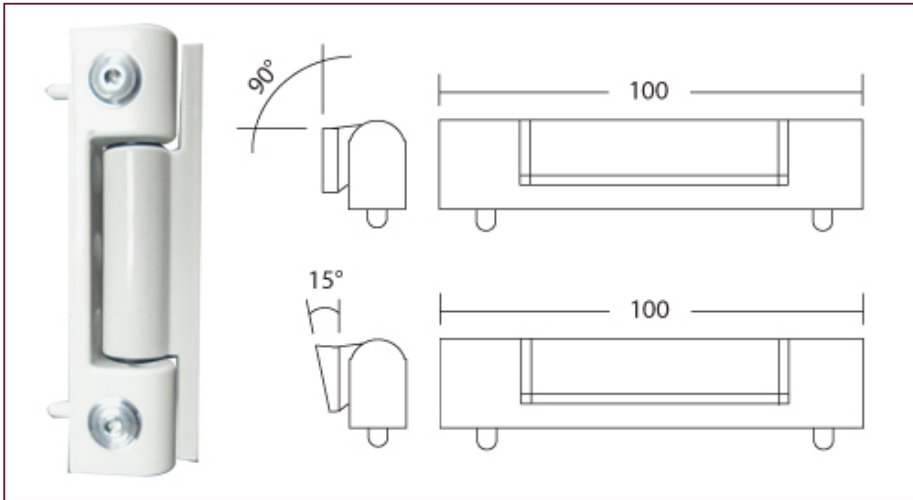
Full length Avocet 2 Hook 4 Roller keep to suit brass Avocet - right handed as shown.



Avocet Full Length Keep

MPL132 - LH

Full length Avocet 2 Hook 4 Roller keep to suit brass Avocet - left handed as shown.

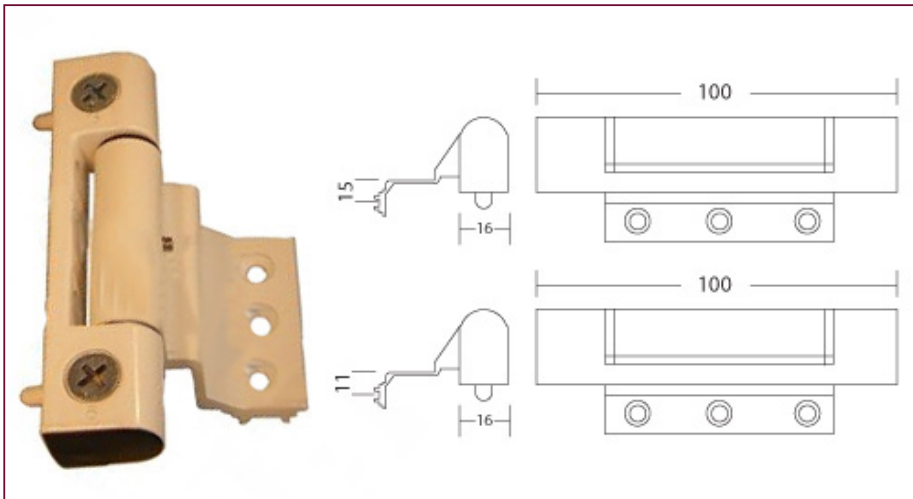


Pencil Butt Hinge - 90 °

MPL229W - White
MPL229B - Dark Brown

Pencil Butt Hinge - 15 °

MPL228W - White
MPL228B - Dark Brown

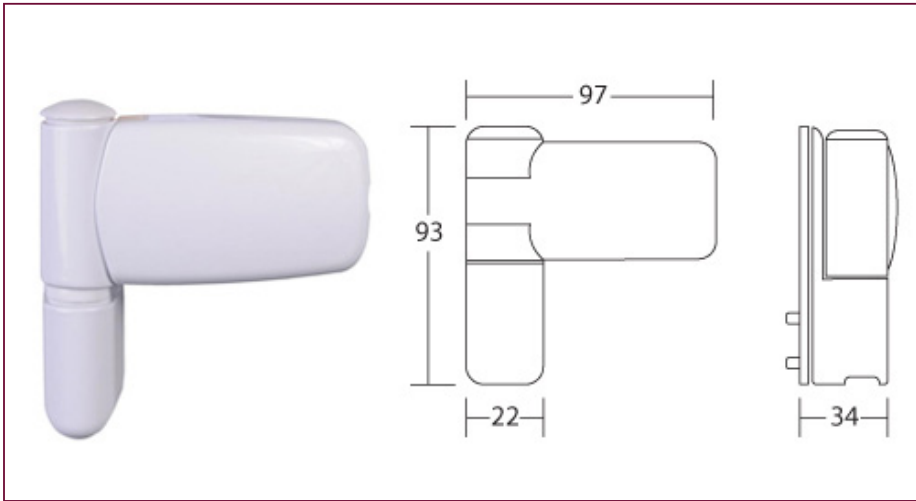


9mm Cranked Butt Hinge

MPL230W - White
MPL230B - Dark Brown

13mm Cranked Butt Hinge

MPL232W - White
MPL232B - Dark Brown



3D Triad Flag Hinge

MPL233W - White

MPL233B - Dark Brown

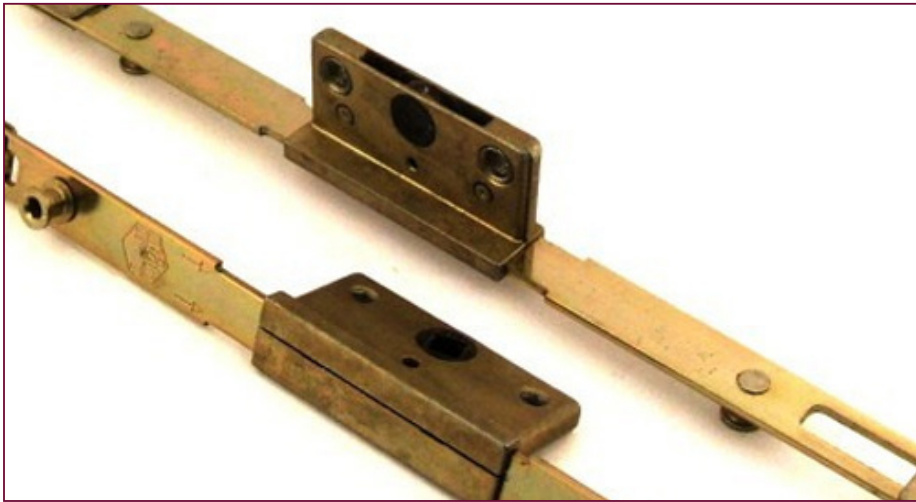
MPL233G - Gold

MPL233C - Chrome



Inline Window Espags

Part No	Backset	Length	Faceplate	No of Mushrooms
MPL235	20mm	250mm	16mm Flat	2 x 8mm
MPL237	22mm	250mm	16mm Flat	2 x 8mm
MPL240	20mm	400mm	16mm Flat	2 x 8mm
MPL243	22mm	400mm	16mm Flat	2 x 8mm
MPL244	20mm	600mm	16mm Flat	2 x 8mm
MPL246	22mm	600mm	16mm Flat	2 x 8mm
MPL249	20mm	800mm	16mm Flat	2 x 8mm
MPL250	22mm	800mm	16mm Flat	2 x 8mm
MPL251	20mm	1000mm	16mm Flat	3 x 8mm
MPL252	22mm	1000mm	16mm Flat	3 x 8mm
MPL231	20mm	1200mm	16mm Flat	3 x 8mm
MPL234	22mm	1200mm	16mm Flat	3 x 8mm



Off-Set Window Espags

Part No	Backset	Length	Faceplate	No of Mushrooms
MPL236	20mm	250mm	16mm Flat	2 x 8mm
MPL238	22mm	250mm	16mm Flat	2 x 8mm
MPL239	25mm	250mm	16mm Flat	2 x 8mm
MPL241	20mm	400mm	16mm Flat	2 x 8mm
MPL242	22mm	400mm	16mm Flat	2 x 8mm
MPL247	25mm	400mm	16mm Flat	2 x 8mm
MPL248	20mm	600mm	16mm Flat	2 x 8mm
MPL263	22mm	600mm	16mm Flat	2 x 8mm
MPL265	25mm	600mm	16mm Flat	2 x 8mm
MPL276	20mm	800mm	16mm Flat	2 x 8mm
MPL277	22mm	800mm	16mm Flat	2 x 8mm
MPL291	25mm	800mm	16mm Flat	2 x 8mm
MPL292	20mm	1000mm	16mm Flat	2 x 8mm
MPL293	22mm	1000mm	16mm Flat	3 x 8mm
MPL306	25mm	1000mm	16mm Flat	3 x 8mm
MPL294	20mm	1200mm	16mm Flat	3 x 8mm
MPL295	22mm	1200mm	16mm Flat	3 x 8mm
MPL296	25mm	1200mm	16mm Flat	3 x 8mm



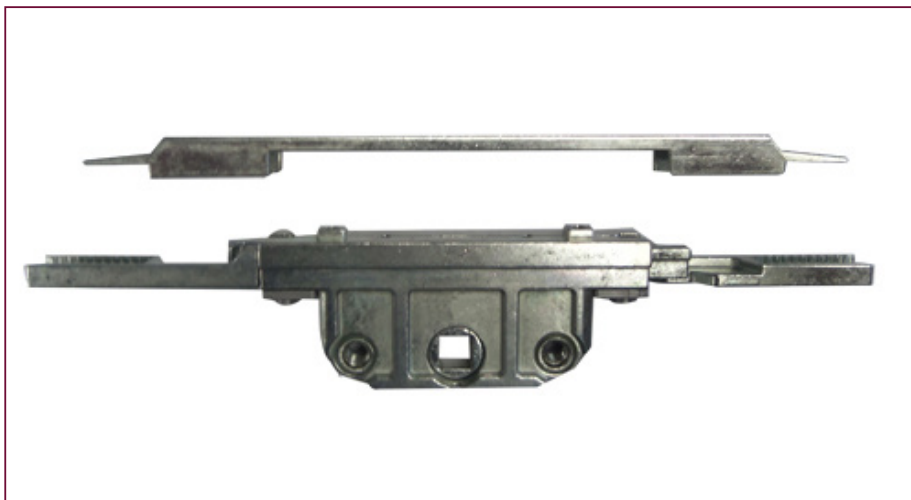
Mila Window Shootbolt Gearbox (Short)

MPL297 - 20mm Backset

MPL298 - 22mm Backset

MPL299LH - Offset 22mm LH

MPL299RH - Offset 22mm RH



Maco MK1 Window Shootbolt Gearbox

MPL300 - 20mm Backset

MPL301 - 22mm Backset



Saracen Window Gearbox with 11mm Deadbolt

MPL302 - 20mm Backset



Saracen Shootbolt Gearbox (face mounted extensions)

MPL303 - 20mm Backset

MPL304 - 22mm Backset



Standard Friction Stays

Part No (Pair of)	Size	Hung	Stack Height
MPL743	8"	Top	13mm
MPL744	10"	Top	13mm
MPL745	12"	Top	13mm
MPL746	16"	Top	13mm
MPL747	20"	Top	13mm
MPL748	24"	Top	13mm
MPL749	12"	Side	13mm
MPL750	16"	Side	13mm

Part No (Pair of)	Size	Hung	Stack Height
MPL751	8"	Top	17mm
MPL752	10"	Top	17mm
MPL753	12"	Top	17mm
MPL754	16"	Top	17mm
MPL755	20"	Top	17mm
MPL756	24"	Top	17mm
MPL757	12"	Side	17mm
MPL758	16"	Side	17mm



Part No (Pair of)	Size	Hung	Stack Height
MPL759	12"	Side	13mm
MPL760	16"	Side	13mm
MPL761	12"	Top	13mm
MPL762	16"	Top	13mm
MPL763	24"	Top	13mm

Part No (Pair of)	Size	Hung	Stack Height
MPL764	12"	Side	17mm
MPL765	16"	Side	17mm
MPL766	12"	Top	17mm
MPL767	16"	Top	17mm
MPL768	24"	Top	17mm



Siegenia / Si Tilt & Turn Mechanism

Si Tilt and Turn Gearing / Mechanism for tilt and turn upvc windows and tilt and slide doors. This is an easy replacement part for all types of tilt and turn window gearing with a similar drive gear.

Backset: 18mm

Replace the old yellow coloured Si mechanisms

(Siegenia KF3 SI-Line Standard)

Fitter must cut to size when installing. To identify the correct tilt and turn gearbox size you require you will see the markings stamped on the tilt and turn mechanism.

Part No	Description
MPL510	Gr-0 - 480mm to 600mm
MPL511	Gr-1 - 601mm to 1100mm
MPL512	Gr-2 - 1000mm to 1460mm
MPL513	Gr-3 - 1461mm - 1921mm
MPL514	Gr-4 - 1880mm - 2380mm



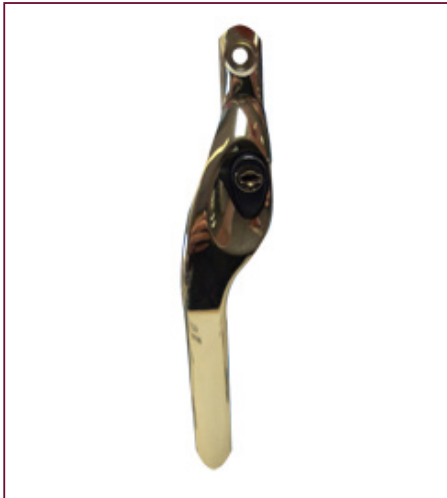
Tilt & Turn Window Handle

MPL169G - Gold
MPL169W - White
MPL169C - Chrome



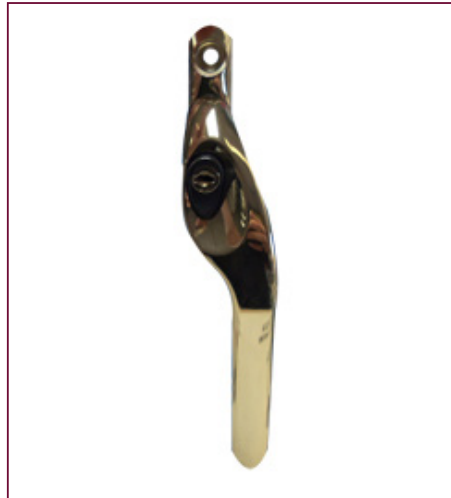
Inline Window Handle

MPL168IL - Gold
MPL166IL - White
MPL167IL - Chrome



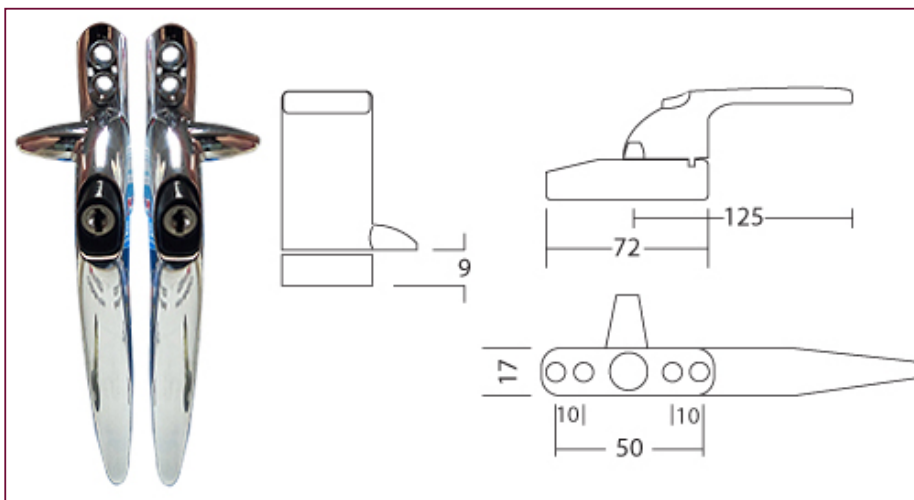
Left Hand Window Handle

MPL168LH - Gold
MPL166LH - White
MPL167LH - Chrome



Right Hand Window Handle

MPL168RH - Gold
MPL166RH - White
MPL167RH - Chrome

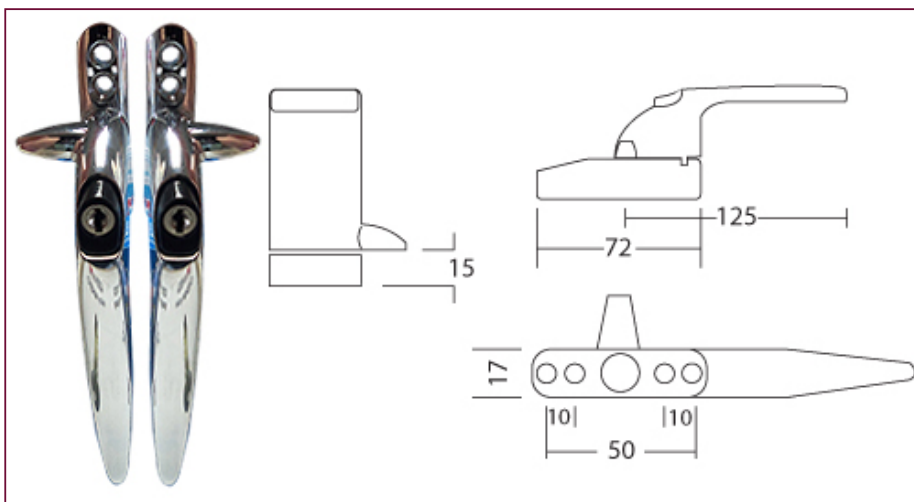


9mm Locking Cockspur Window Handle

MPL769-G-L/R - Gold 9mm

MPL769-W-L/R - White 9mm

MPL769-C-L/R - Chrome 9mm

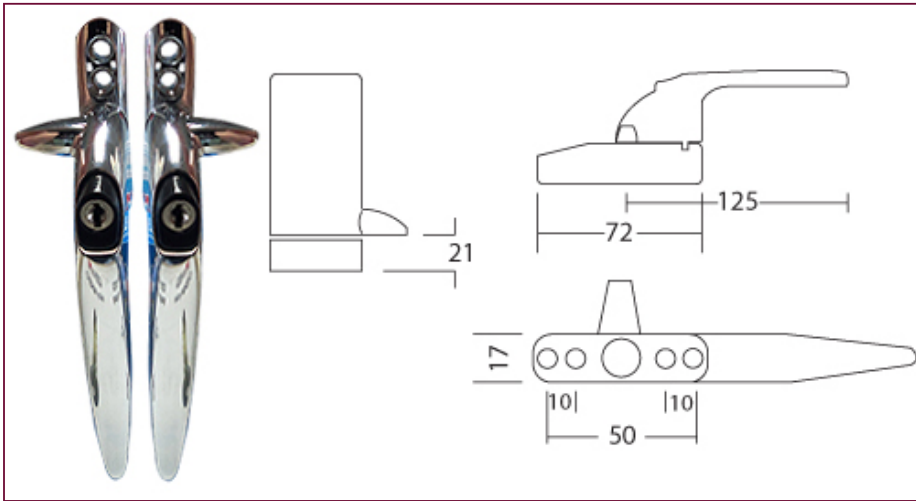


15mm Locking Cockspur Window Handle

MPL770-G-L/R - Gold 15mm

MPL770-W-L/R - White 15mm

MPL770-C-L/R - Chrome 15mm

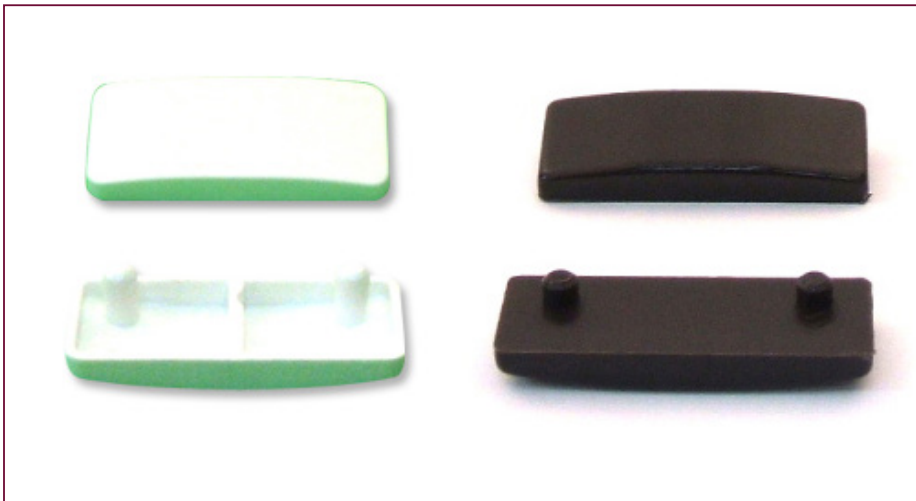


21mm Locking Cockspur Window Handle

MPL771-G-L/R - Gold 21mm

MPL771-W-L/R - White 21mm

MPL771-C-L/R - Chrome 21mm

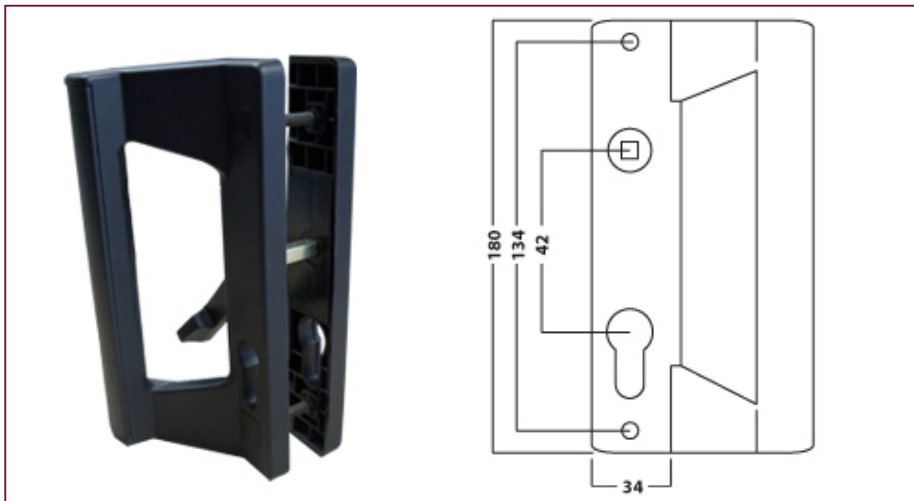


Cockspur Wedges

MPL772-W/B - 2.5mm Cockspur Wedge

MPL773-W/B - 4.0mm Cockspur Wedge

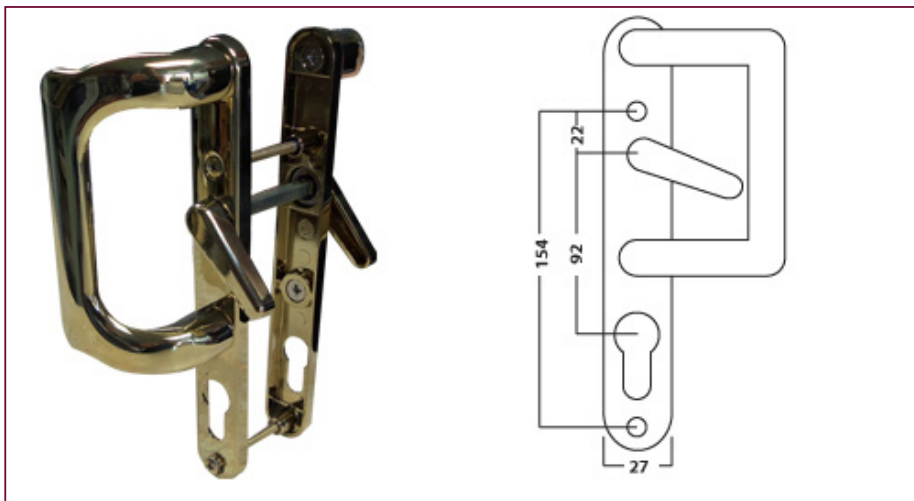
MPL774-W/B - 5.5mm Cockspur Wedge



Sliding Patio Door Handle No 1

MPL558

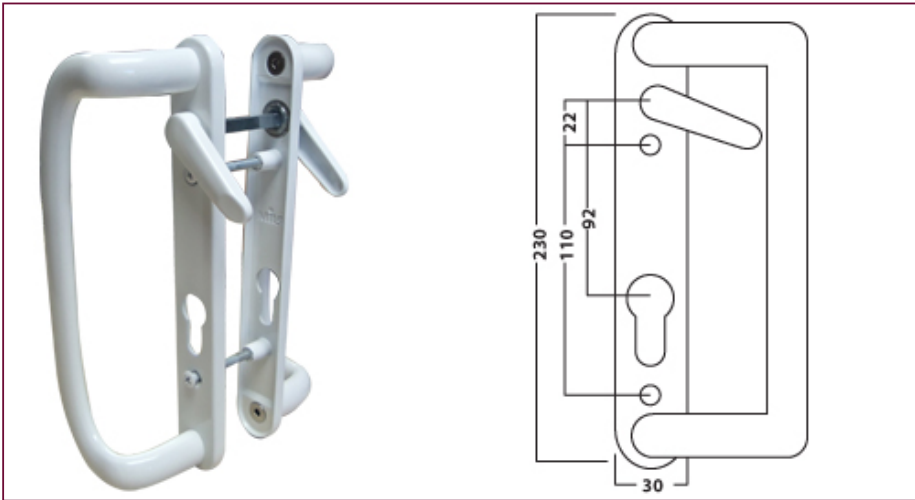
Available Finishes: Black



Sliding Patio Door Handle No 2

MPL559

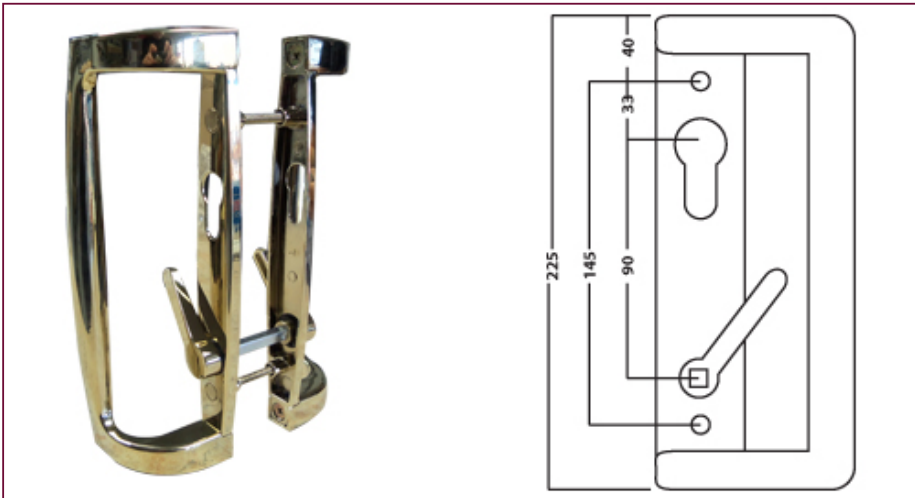
Available Finishes: White, Chrome, Gold



Sliding Patio Door Handle No 3

MPL560

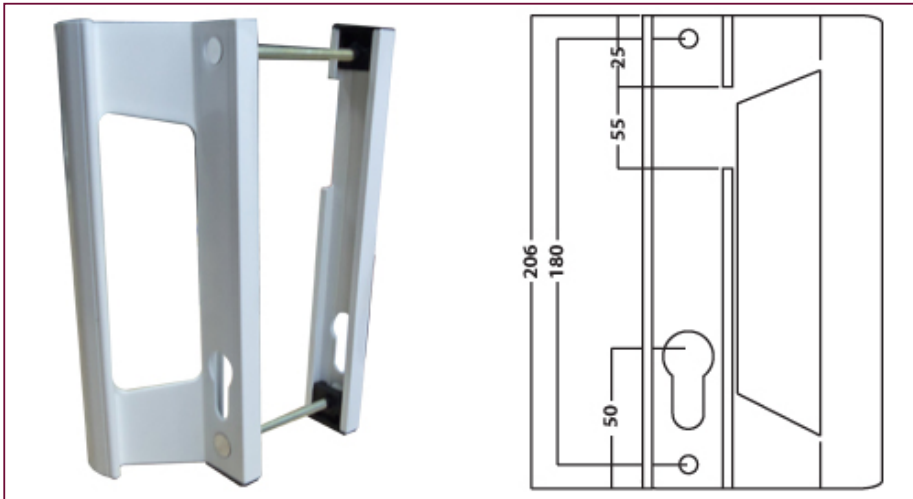
Available Finishes: White, Chrome, Gold



Sliding Patio Door Handle No 4

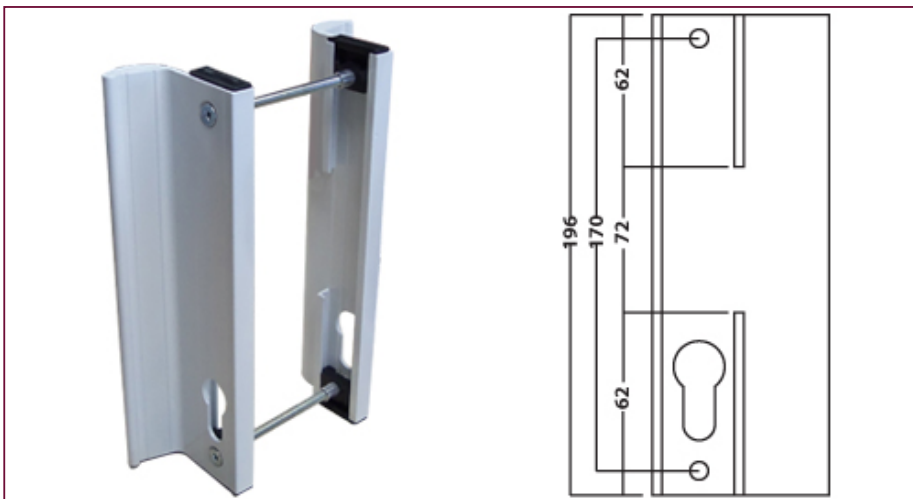
MPL561

Available Finishes: White, Chrome, Gold



MPL563

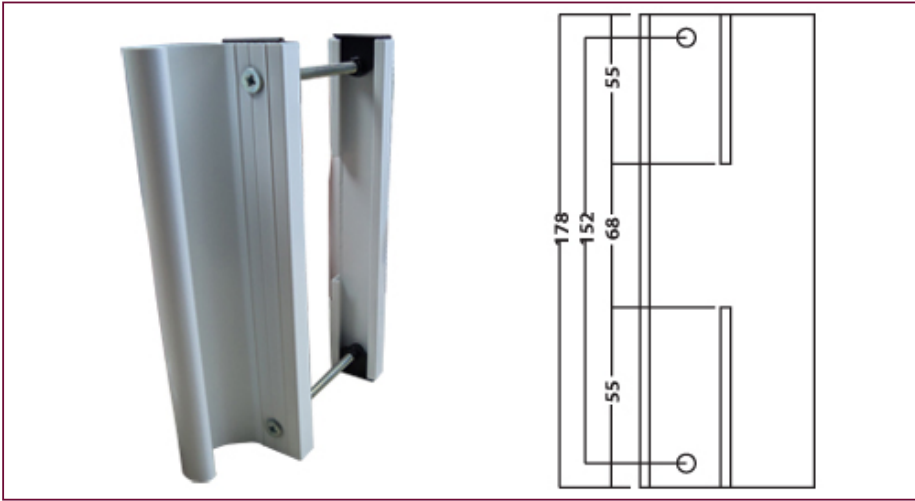
Available Finishes: White, Gold



Sliding Patio Door Handle No 6

MPL562

Available Finishes: White, Gold



MPL564

Available Finishes: White, Gold



10" Letter Plates

Plastic surround with aluminium sprung flaps.
External side with weather seal.
Internal side with brush seal.

Adjustable sleeve to suit doors 40mm - 80mm thick.

Available in various finishes (see below)

Overall size: 265mm Wide x 68mm High
To suit opening: 222mm Wide x 45mm High

Gold - MPL775G
White - MPL775W
Silver - MPL775S
Black - MPL775B



12" Letter Plates

Plastic surround with aluminium sprung flaps.
External side with weather seal.
Internal side with brush seal.

Adjustable sleeve to suit doors 40mm - 80mm thick.

Available in various finishes (see below)

Overall size: 304mm Wide x 68mm High
To suit opening: 260mm Wide x 45mm High

Gold - MPL776G
White - MPL776W
Silver - MPL776S
Black - MPL776B



Schlösser Technik Anti-Snap Euro Cylinder

6 Pin High Security Euro Cylinder
EN1303 Standard

Measurement from either side to fixing screw in mm.

Part No	Size
MPL186-3030-B/N	30 / 30
MPL186-3535-B/N	35 / 35
MPL186-3545-B/N	35 / 45
MPL186-3555-B/N	35 / 55
MPL186-4040-B/N	40 / 40
MPL186-4045-B/N	40 / 45
MPL186-4050-B/N	40 / 50
MPL186-4055-B/N	40 / 55
MPL186-4060-B/N	40 / 60
MPL186-4545-B/N	45 / 45
MPL186-4550-B/N	45 / 50
MPL186-4555-B/N	45 / 55
MPL186-5050-B/N	50 / 50

Ask us about our bulk trade offers on boxes of cylinders!

call CS Glaziers today on 01244 550148 for sales and support

Euro Cylinders

129



MUL-T-LOCK Euro Cylinder

Nickle finish with a brass core. Snap safe cylinder with sacrificial ends.
 All supplied with 2 keys, security key card and fixing screw.
 Can be keyed alike or master keyed - call sales for information.
 Measurement from either side to fixing screw in mm.

Part No	Size
MPL215-3030	30 / 30
MPL215-3535	35 / 35
MPL215-3545	35 / 45
MPL215-3555	35 / 55
MPL215-4040	40 / 40
MPL215-4045	40 / 45
MPL215-4050	40 / 50
MPL215-4055	40 / 55
MPL215-4060	40 / 60
MPL215-4545	45 / 45
MPL215-4550	45 / 50
MPL215-4555	45 / 55
MPL215-5050	50 / 50



Euro Thumb Turn Cylinders

Available in a brass or nickle finish.
All supplied with 3 keys and fixing screw.

Measurement from either side to fixing screw in mm. T indicates turn side.
Other sizes available upon request - please contact sales.

Part No	Size
MPL219-3535-B/N	35/35
MPL219-4545-B/N	45/45



Half Euro Cylinders

Available in a brass or nickle finish.
All supplied with 3 keys and fixing screw.

Measurement from either side to fixing screw in mm.

Part No	Size
MPL305-3010-B/N	30 / 10
MPL305-3510-B/N	35 / 10
MPL305-4510-B/N	45 / 10



Available in a brass or nickle finish.
All supplied with 3 keys and fixing screw.

Measurement from either side to fixing screw in mm.

Part No	Size
MPL216-3535-B/N	35 / 35
MPL216-4040-B/N	40 / 40
MPL216-4545-B/N	45 / 45
MPL216-5050-B/N	50 / 50



Half Oval

Available in a brass or nickle finish.
All supplied with 3 keys and fixing screw.

Measurement from either side to fixing screw in mm.

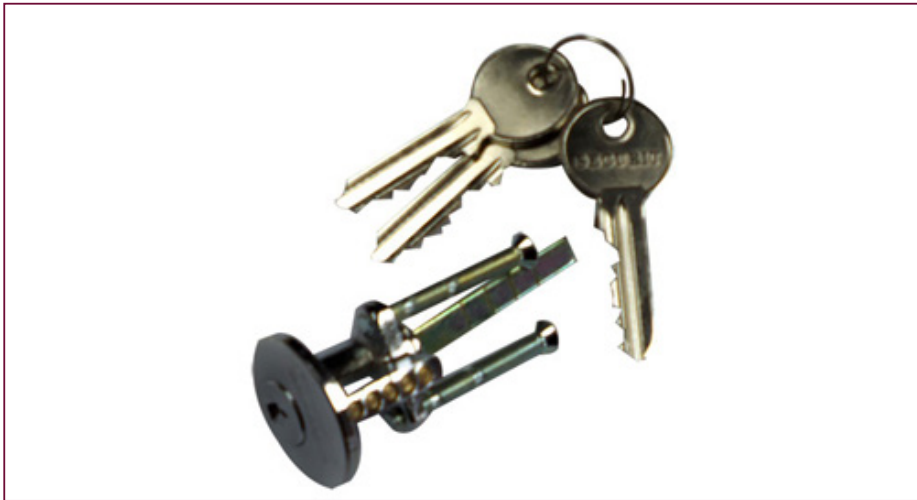
Part No	Size
MPL567-3010-B/N	30 / 10
MPL567-3510-B/N	35 / 10
MPL567-4510-B/N	45 / 10



Available in a brass or nickle finish.
All supplied with 3 keys and fixing screw.

Measurement from either side to fixing screw in mm. T indicates turn side.

Part No	Size
MPL568-3535-B/N	35/35T



Rim Cylinder - MPL217

Replacement cylinder for nightlatch.
Comes complete with fixing screws and 3 keys.
Spindle length can be cut to suit.



Screw in Cylinders (pair of) - MPL218

Replacement cylinders for aluminium doors to suit Adams Rite and other locks. Keyed alike as a pair complete with faceplate and 3 keys.



3 Lever Mortice Lock

- MPL777 - 2.5" Deadlock
- MPL778 - 2.5" Sashlock
- MPL779 - 3" Deadlock
- MPL780 - 3" Sashlock

Comes complete with faceplate, strike, and 2 keys. Brass finish as standard.



MPL781 - 2.5" Deadlock
MPL782 - 2.5" Sashlock
MPL783 - 3" Deadlock
MPL784 - 3" Sashlock

Comes complete with faceplate, strike, and 2 keys. Brass finish as standard.
Complies to BS3621



Euro Escutcheon

MPL485G - Gold

MPL485S - Silver



Handle Blanking Kit

MPL565G - Gold

MPL565S - Silver

MPL565W - White



Mortice Escutcheon

MPL686G - Gold

MPL686S - Silver



Cam Locks

16mm - MPL134-16 24mm - MPL134-24

20mm - MPL134-20 27mm - MPL134-27



Glazing Wedges

1mm - 6mm mixed bag of 100 - MPL143

Individual sizes in bags of 1000 also available - call sales for more info.



Combination Locks

MPL131B - Brass

MPL131C - Chrome



White Sash Jammer

MPL149W

None locking, supplied with packers.

Brown Sash Jammer

MPL149B

None locking, supplied with packers.



BULK DEAL - BOX OF 10 SASH JAMMERS

MPL460W - White

MPL460B - Brown



Locksmith Tool Set

MPL713

Great general tool set often saving £100s when bought as a package.

Contains :

Lock Puller Set (complete with carry case) - See page XXX

Euro and Oval Snapper Bar - See page XXX

Air Pump Bag - See page XXX

Set of Mica Cards - See page XXX

11Pc HPC Pick Set - See page XXX

Window / Door Latch Tool - See page XXX

Broken Key Extractors - See page XXX

Euro Cylinder Measurer - See page XXX

Glazing Shovel - See page XXX

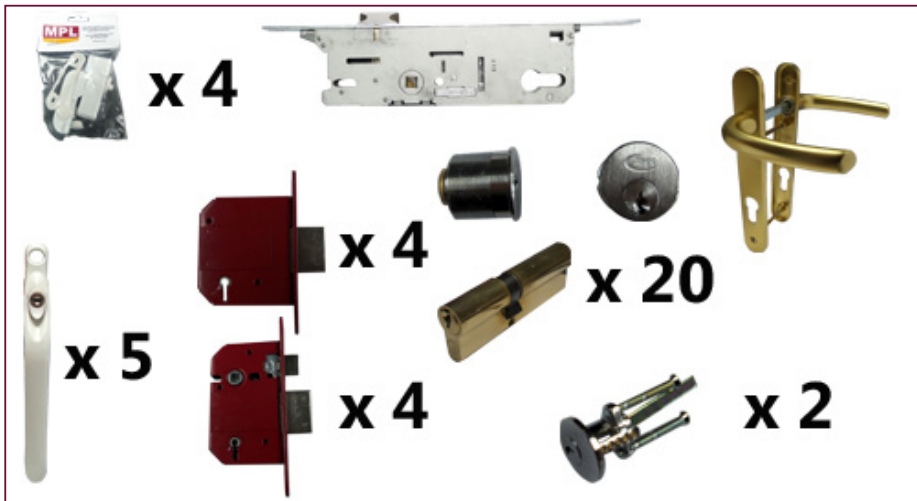
Glazing packers

6mm Carbide Tipped Drill Bit - See page XXX

7mm Carbide Tipped Drill Bit - See page XXX

5 x Mortice tension keys - See page XXX

All supplied in a protective carry case.



Locksmith Stock Set

MPL641

Great general stock set for the van - especially for those stocking out a new van.

Contains :

- 2 x 2.5" ERA Fortress Sash Locks
- 2 x 3" ERA Fortress Sash Locks
- 2 x 2.5" ERA Fortress Dead Locks
- 2 x 3" ERA Fortress Dead Locks
- 20 x 6 Pin Euro Cylinders (Various sizes)
- 1 x 92mm Lever/Lever uPVC Door Handles
- 2 x Rim Cylinders
- 1 x Pair of Screw in Cylinders
- 4 x White Sash Jammers
- 1 x 35mm Overnight Lock
- 5 x White Window Handles

call CS Glaziers today on 01244 550148 for sales and support

Terms and General Information

General Information

Every effort has been made to ensure that all dimensions and information given in this catalogue are correct. With such a large and technical product range it is inevitable that discrepancies may occur. Should you wish to double check any of this information please don't hesitate to call us. CS Glaziers cannot be held responsible for any errors or omissions.

Late Deliveries and Surcharges

CS Glaziers cannot be held liable for late deliveries from our courier. We operate services based on a next day delivery basis where possible. Please note that overseas deliveries may take longer. We will endeavour to deliver your order as quickly as possible.

Please note that the below postcodes may be subject to delivery surcharges:

HS1 - HS9 (Scottish Isles) IM1 - IM99 (Isle of Man) IV1 - IV99 (Inverness) KA3, KA27, KA28 (Ayrshire)



Contact Us

Call us on 01244 550148
Fax Enquiries to 01244 54948
Fax Orders to 01244 541690

CS Glaziers (North Wales) Ltd
6-8 Chester Road, Buckley
Flintshire, CH7 3AE